

Remote and Direct Operated Poppet-Type On-Off Valves



Quick-Acting
2 & 3-Way Valves For Air,
Liquid, Gas or Vacuum Service

Lexair® Poppet-Type On-Off Valves

Remote or Direct Operated Valves for a Variety of Industrial and Process Needs

Lexair poppet-type valves provide high flow, positive shut-off operation for a variety of industrial and process control needs. Constructed of non-corrosive materials, they can be used with a wide range of liquids and gases where quick-acting control is required.

Positive, bubble-tight shut-off is accomplished by an exclusive poppet-seat design that provides a long lasting, extrusion resistant seal. There's easy maintenance too, with quick access to valve internal parts without the need for removing in-line piping. Smaller port sized valves have one-piece poppet assemblies that are replaced in seconds. These are important advantages when a valve is installed in hard-to-reach places.

Dual Poppet Design on Larger Valve Sizes

To minimize the pilot pressure required to actuate valves and assure fast operation with viscous media, larger port sizes of solenoid and mechanical models incorporate a dual poppet design. Inlet media flows into the large poppet chamber through orifices so that line pressure is applied in the same direction as the poppet spring to hold both poppets closed. When the valve is actuated, the piston and operating stem readily opens the inner poppet which has a small surface area that requires a minimal force to open. This immediately relieves the large poppet chamber pressure into the valve outlet so that less force is required to open the large poppet as the pin continues its stroke. The entire sequence is instantaneous, insuring fast valve response with minimal operating effort.

For High Flow, Bubble-Tight Control

Pilot Cap

Aluminum hard anodized for corrosion resistance (Optional: Nickel-plated brass)

Pilot Piston With "U"-Cup Seals

provide low-friction positive sealing.

Resilient, Poppet Seat Design

assures leak-tight shut-off for hard-to-handle fluids.

Captive Seal Poppet Construction

for high resistance to extrusion under pressure.

Pressure-Assisted Sealing.

Inlet pressure works in seal direction, assuring positive closure.

Smaller Line Sizes Furnished with Single, Direct-Acting Poppet.

Dual poppet design in larger sizes operate on a pressure differential, requiring minimal force for valve actuation.

Handles, Air, Water, Oil, Vacuum—Even Non-Lube Air

Wide Range of Pilot Ratios

for high media pressure, low pilot pressure operation.

"U"-Cup Stem Seal

isolates controlled flow media from pilot chamber for multi-media service.

Wide Open Flow.

Poppet opens large orifice flow path—comparable to manual valve designs.

Heavy-Duty Construction.

Thick-walled bronze bodies resist hammering, cracking—add outstanding corrosion resistance.

Wide Range of Port Sizes.

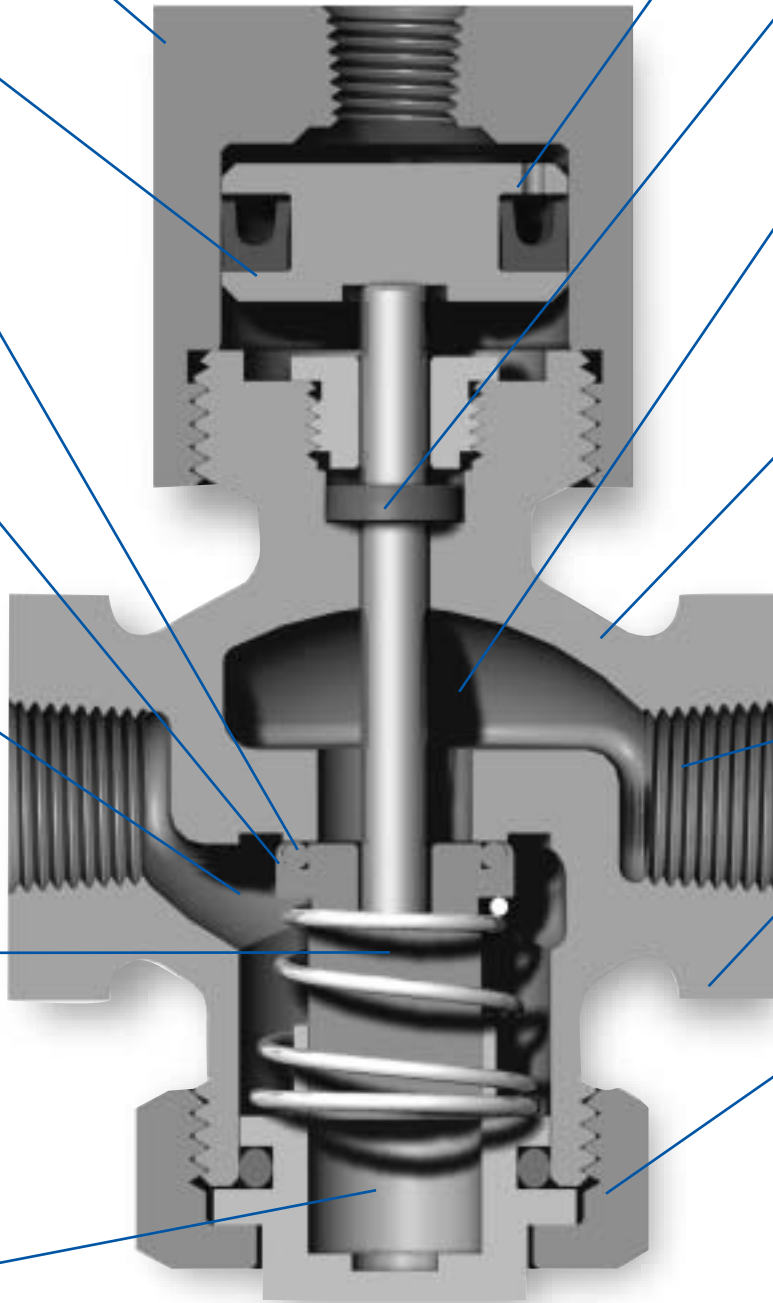
1/4" to 2" pipe sizes.

Big Husky Body Hexes

for heavy-duty piping ease.

Easy Service and Repair.

All models have ready accessibility to internal parts without removing piping. One-piece poppet assembly on smaller sizes is replaced in seconds.



Direct Pilot Operated

Normally Open

Air, Oil, Water or Vacuum

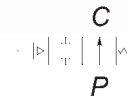
These direct pilot operated valves can be used with a variety of media where quick, positive control is required. With optional seals, they require no lubrication, making them ideal for non-lube air service.

Valves feature a large resilient poppet that provides bubble-tight closure, even under low pressure conditions. Bronze, brass and stainless steel construction and choice of seal materials provide excellent compatibility with a wide range of media.

Pilot cap is easily removed for quick access to valve's one-piece poppet assembly. Buna N o-ring on poppet and U-cup pilot piston seal prevent controlled media from entering pilot chamber, permitting use of different media for pilot control. All sizes incorporate a single, direct operated poppet design.

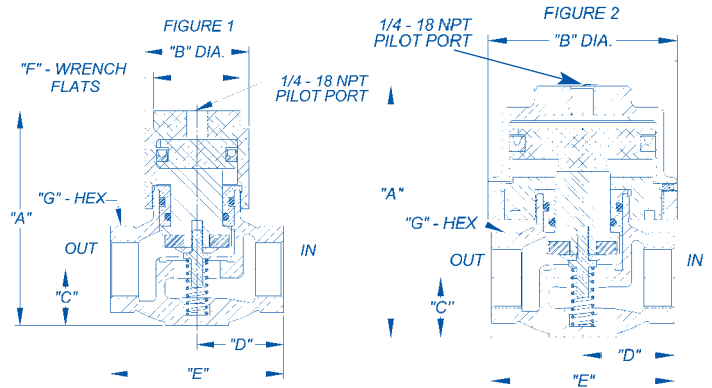


ANSI SYMBOL



Specifications

Body:	Cast Bronze (ASTM B-61)
Pilot Cap:	Aluminum
Internal Parts:	Brass and Stainless Steel
Seals:	Buna-N Standard (Optional Seals pg. 15)
Temperature Range:	-30° F to +225° F with Standard Seals (300° F with optional seals)
Pressure Rating:	0-500 PSI Higher pressure ratings available, consult factory
Pilot Ratio:	See Model Number Chart



Model Numbers

NPT Pipe Size (Inches)	CV Factor	Pilot Ratio*	Wgt. (Lbs.)	Model No.
1/4	2.56	1:1	2.0	321304
		8:1	4.2	325104
3/8	2.90	1:1	2.0	321306
		8:1	4.2	325106
1/2	3.19	1:1	2.0	321308
		8:1	4.2	325108
3/4	6.85	1:1	4.0	321312
		8:1	7.0	325112
1	12.10	1:1	5.50	321316
		3:1	6.00	325116
1 1/4	21.00	1:1	6.50	321320
		3:1	6.80	325120
1 1/2	25.80	1:1	8.00	324624
		4:1	8.40	325124
2	50.00	1:1	12.00	324632
		2:1	13.00	325132

Dimension (inches)

For Figure 1 (Standard Pilot Ratios)

Pipe Size	1/4" to 1/2"	3/4"	1"	1 1/4"	1 1/2"	2"
A	3.44	4.19	4.75	5.41	5.75	6.88
B	1.75	2.00	2.25	2.75	3.00	3.88
C	.81	.97	1.22	1.53	1.53	2.00
D	1.38	1.62	1.88	2.19	2.56	2.91
E	2.75	3.25	3.75	4.38	4.88	5.81
F	1.50	1.62	1.88	2.00	2.00	2.00
G	1.25	1.50	1.88	2.25	2.50	3.25

Dimension (inches)

For Figure 2 (High Pilot Ratios)

Pipe Size	1/4" to 1/2"	3/4"	1"	1 1/4"	1 1/2"
A	5.06	5.31	5.16	5.62	6.50
B	3.38	3.38	3.88	3.88	5.00
C	.88	.97	1.00	1.12	1.75
D	1.38	1.62	1.88	2.15	2.44
E	2.75	3.25	3.75	4.31	4.88
G	1.25	1.50	2.00	2.25	2.50

*Internal Line Pressure vs. Minimum Pilot Pressure.

Direct Pilot Operated

Normally Closed

Air, Oil, Water or Vacuum*

These direct pilot operated valves can be used with a variety of media where quick, positive control is required from an extremely low pilot signal. With optional seals, they require no lubrication, making them ideal for non-lube air service.

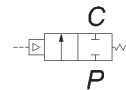
Valves feature a large resilient poppet that provides bubble-tight closure, even under low pressure conditions. Bronze, brass and stainless steel construction and choice of seal materials provide excellent compatibility with a wide range of media. Available with a variety of pilot-to-line-pressure ratios.

Bottom hex nut is easily removed for quick access to valve's poppet assembly. Buna-N U-cup seal on stem and U-cup pilot piston seal prevent controlled media from entering pilot chamber, permitting use of different media for pilot control.

Valve sizes from 1/4" to 3/4" have a threaded cap; valve models in larger sizes (as well as valve models with 8:1 line pressure versus pilot pressure) have bolted pilot cap.

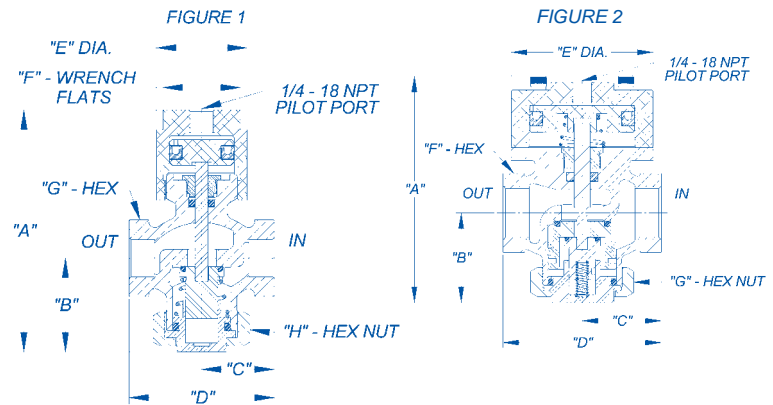


ANSI SYMBOL



Specifications

Body:	Cast Bronze (ASTM B-61)
Pilot Cap:	Aluminum
Internal Parts:	Brass and Stainless Steel
Seals:	Buna-N Standard (Optional Seals pg. 15)
Temperature Range:	-30° F to +225° F with Standard Seals (300° F with optional seals)
Pressure Rating:	0-500 PSI *Vacuum (use -31 suffix) Higher pressure ratings available, consult factory
Pilot Ratio:	See Model Number Chart



Model Numbers

NPT Pipe Size (Inches)	CV Factor	Pilot Ratio*	Wgt. (Lbs.)	Model No.
1/4	1.9	3:1	2.75	331404
		8:1	5.0	324504
3/8	3.8	3:1	2.75	331406
		8:1	5.0	324506
1/2	4.0	3:1	2.75	331408
		8:1	5.0	324508
3/4	5.32	2:1	4.0	331412
	3.87	10:1		324512
1	10.2	4:1	6.0	331416
	8.06	10:1		324516
1 1/4	18.4	3:1	8.5	331420
	17.1	10:1		324520
1 1/2	27.4	2:1	9.0	334724
	23.6	10:1		334524
2	48.0	1:1	13.5	334732
	38.0	10:1		324532

*Internal Line Pressure vs. Minimum Pilot Pressure.

Dimension (inches)

Figure 1

Pipe Size	1/4" to 1/2"	3/4"
A	4.66	5.28
B	1.78	1.97
C	1.38	1.62
D	2.75	3.25
E	1.75	2.00
F	1.50	1.62
G	1.25	1.50
H	1.62	1.88

1/4" to 3/4"
Pipe Size Valves
Standard Pilot
Ratio

Dimension (inches)

Figure 2

Pipe Size	1/4" to 1/2"	1"	1 1/4"	1 1/2"	2"
A	5.00	5.62	6.72	6.88	7.94
B	1.75	2.12	2.81	2.94	3.44
C	1.38	1.88	2.19	2.44	2.91
D	2.75	3.75	4.38	4.88	5.81
E	3.38	3.38	3.38	3.38	3.38
F	1.25	1.88	2.25	2.50	3.25
G	1.62	2.12	2.75	3.06	3.75

1/4" to 1/2"
Pipe Size
Models with
an 8:1
Pilot Ratio and
1" thru 2" Pipe
Size Valves

Direct Pilot Operated

STAINLESS STEEL

Normally Closed

Air, Oil, Water or Vacuum*

These direct pilot operated valves can be used with a variety of media where quick positive control is required from a low pilot signal.

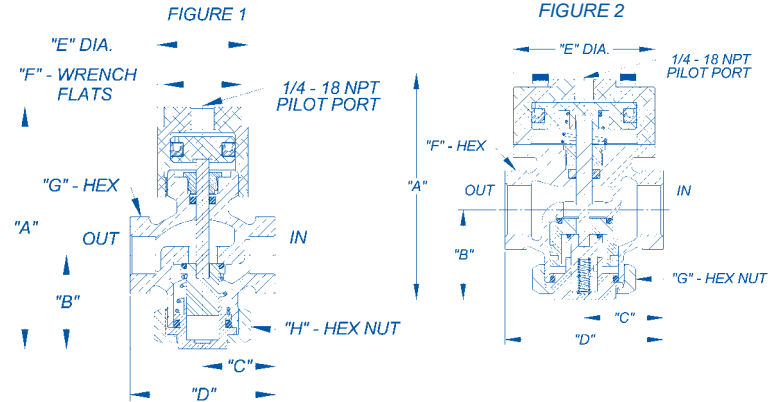
Designed for pressure applications with highly corrosive or ultra-pure liquid systems these direct pilot operated valves can be used where quick positive control is required. The valve is ideal for a broad range of industrial applications, from electronics to petro-chemical plants, commercial laundries, car wash operations, etc.

Valves feature a large resilient poppet that provides bubble-tight closure, even under low pressure conditions. Bottom hex nut is easily removed for quick access to valve's poppet assembly. U-Cup seal on operating stem and U-cup pilot piston seal prevent controlled media from entering pilot chamber, permitting use of different media for pilot control.



Specifications

Body:	Stainless Steel (304)
Pilot Cap:	Brass/Nickel Plated
Internal Parts:	Stainless Steel
Seals:	Viton- A
Temperature Range:	-30° F to +300°
Pressure Rating:	0-500 PSI * Vacuum (use -31 suffix)
Pilot Ratio:	See Model Number Chart



Model Numbers

NPT Pipe Size (Inches)	CV Factor	Pilot Ratio*	Wgt. (Lbs.)	Model No.
3/4	5.32	2:1	4.0	337412
	5.32	6:1		338512
1	10.2	4:1	6.0	337416
	8.06	10:1		338516

*Internal Line Pressure vs. Minimum Pilot Pressure.

Dimension (inches)

Pipe Size	3/4"
A	5.28
B	1.97
C	1.62
D	3.25
E	2.00
F	1.62
G	1.50
H	1.88

Figure 1

Dimension (inches)

Pipe Size	1"
A	5.62
B	2.12
C	1.88
D	3.75
E	3.38
F	1.88
G	2.12

Figure 2

3-Way Direct Pilot Operated

Normally Closed Air, Oil, and Water

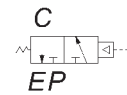
These direct pilot operated valves can be used with a variety of media where quick positive control is required from an extremely low pilot signal. With optional seals, they require no lubrication, making them ideal for non-lube air service.

Valves feature large resilient poppets that provide bubble-tight closure, even under low pressure conditions. Bronze, brass and stainless steel construction and choice of seal materials provide excellent compatibility with a wide range of media.

Bottom hex nut is easily removed for quick access to valve's poppet assembly.



ANSI SYMBOL



Specifications

Body:	Cast Bronze (ASTM B-61)
Pilot Cap:	Bronze
Internal Parts:	Brass and Stainless Steel
Seals:	Buna-N Standard (Optional Seals pg. 15)
Temperature Range:	-30° F to +225° F with Standard Seals (300° F with optional seals)
Pressure Rating:	0-500 PSI

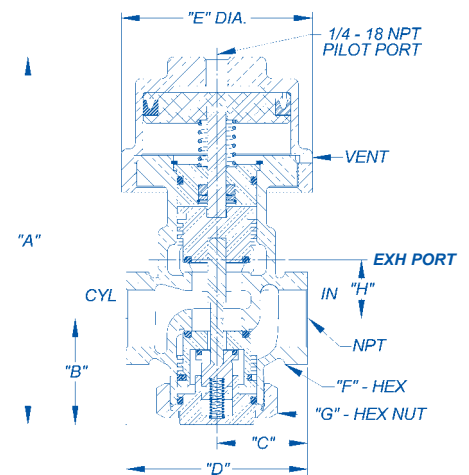
Model Numbers

NPT Pipe Size (Inches)	CV Factor	Pilot Ratio *	Wgt. (Lbs.)	Model Number
1/2	4.0	10:1	8.0	333408
3/4	6.5	5:1	12.1	333412
1	8.0	5:1	12.1	333416

*Internal Line Pressure vs. Minimum Pilot Pressure

Dimensions (inches)

Pipe Size	1/2"	3/4"	1"
A	6.09	7.50	7.50
B	1.81	2.16	2.16
C	1.50	1.84	1.84
D	3.00	3.68	3.68
E	3.00	3.88	3.88
F	1.25	1.88	1.88
G	1.62	2.12	2.12
H	1.81	1.25	1.25



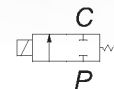
Direct Solenoid Operated—Normally Closed Air, Gas or Vacuum*

Employing the latest pulse width modulated solenoid electronics, the new valve minimizes solenoid holding current while providing a much wider input voltage range. The direct solenoid design is ideal for use in vacuum, low pressure or high pressure applications where pilot-assisted valves won't operate.

Low maintenance and high reliability are hallmarks of the Bronze Star valves due to the elimination of any small orifices that can clog during operation. In addition, pulse width modulation electronic technology permits a very low solenoid holding current. This minimizes heat and power consumption, resulting in reduced operating costs and virtually trouble-free operation for millions of cycles.

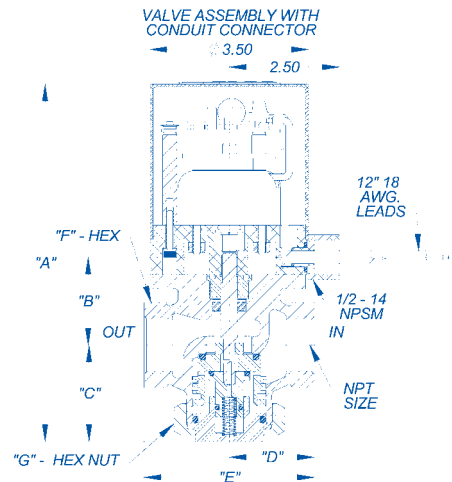


ANSI SYMBOL



Specifications

Body:	Cast Bronze (ASTM B-61)
Internal Parts:	Brass and Stainless Steel
Seals:	Buna-N Standard (Optional Seals pg. 15)
Temperature Range:	-30° F to +225° F with Standard Seals (300° F with optional seals)
Solenoids:	Pulse Width Modulated
Pressure Rating:	(See chart below) *Vacuum (use 31 suffix)
Electrical Connections:	1/2" NPT Conduit Brad Harrison Use Suffix -21



Model Numbers

NPT Pipe Size (Inches)	CV Factor	Wgt. (Lbs.)	Model No.	Max Inlet Pressure
1/4	1.9	4.90	335804-1	500psi
3/8	3.8	4.90	335806-1	500psi
1/2	4.0	4.90	335808-1	500psi
3/4	3.87	5.64	335812-1	500psi
1	10.20	6.81	335816-1	250psi
1 1/4	17.10	9.40	335820-1	250psi
1 1/2	23.60	12.00	335824-1	250psi
2	38.00	17.50	335832-1	250psi

Solenoid Data

Input Voltage Range	Amp. Rating		Replacement Solenoid Part No. Conduit	Replacement Solenoid Part No. Brad Harrison
	In-Rush	Holding		
100-125 50 or 60 Hz	2.0	0.2	03-4137	03-4141
		10 Watts		

Dimension (inches)

Pipe Size	1/4" to 1/2"	3/4"	1"	1 1/4"	1 1/2"	2"
A	7.68	7.90	7.92	8.87	9.43	10.81
B	2.02	1.98	1.92	2.26	2.50	2.94
C	1.78	1.97	2.12	2.81	3.19	4.00
D	1.38	1.62	1.88	2.19	2.44	2.91
E	2.75	3.25	3.75	4.38	4.88	5.80
F	1.25	1.50	1.88	2.25	2.50	3.25
G	1.62	1.88	2.12	2.75	3.06	3.75

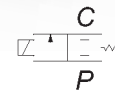
Direct Solenoid Operated—Normally Closed Water or Oil

Employing the latest pulse width modulated solenoid electronics, the new valve minimizes solenoid holding current while providing a much wider input voltage range. The direct solenoid design is ideal for use in vacuum, low pressure or high pressure applications where pilot-assisted valves won't operate.

Low maintenance and high reliability are hallmarks of the Bronze Star valves due to the elimination of any small orifices that can clog during operation. In addition, pulse width modulation electronic technology permits a very low solenoid holding current. This minimizes heat and power consumption, resulting in reduced operating costs and virtually trouble-free operation for millions of cycles.

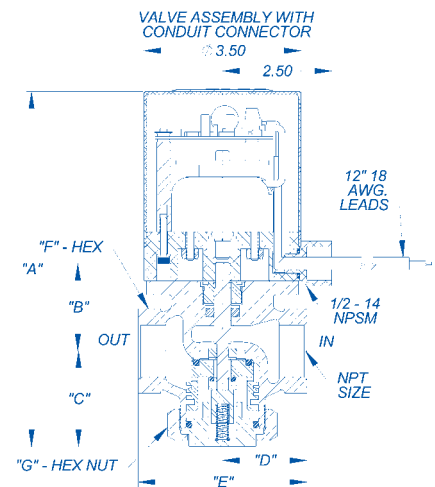


ANSI SYMBOL



Specifications

Body:	Cast Bronze (ASTM B-61)
Internal Parts:	Brass and Stainless Steel
Seals:	Buna-N Standard (Optional Seals pg. 15)
Temperature Range:	-30° F to +225° F with Standard Seals (300° F with optional seals)
Solenoids:	Pulse Width Modulated
Pressure Rating:	(See chart below)
Electrical Connections:	1/2" NPT Conduit Brad Harrison Use Suffix -21



Model Numbers

NPT Pipe Size (Inches)	CV Factor	Wgt. (Lbs.)	Model No.	Max Inlet Pressure
1/4	1.9	4.90	336904-1	125psi
3/8	3.8	4.90	336906-1	125psi
1/2	4.0	4.90	336908-1	125psi
3/4	3.87	5.64	336912-1	250psi
1	10.20	6.81	336916-1	250psi
1 1/4	17.10	9.40	336920-1	250psi
1 1/2	23.60	12.00	336924-1	250psi
2	38.00	17.50	336932-1	250psi

Solenoid Data

Input Voltage Range	Amp. Rating		Replacement Solenoid Part No. Conduit	Replacement Solenoid Part No. Brad Harrison
	In-Rush	Holding		
100-125 50 or 60 Hz	2.0	0.2	03-4137	03-4141
		10 Watts		

Dimension (inches)

Pipe Size	1/4" to 1/2"	3/4"	1"	1 1/4"	1 1/2"	2"
A	7.68	7.90	7.92	8.87	9.43	10.81
B	2.02	1.98	1.92	2.26	2.50	2.94
C	1.78	1.97	2.12	2.81	3.19	4.00
D	1.38	1.62	1.88	2.19	2.44	2.91
E	2.75	3.25	3.75	4.38	4.88	5.80
F	1.25	1.50	1.88	2.25	2.50	3.25
G	1.62	1.88	2.12	2.75	3.06	3.75

Direct Cam Operated

Normally Closed

Air, Oil, Water or Vacuum*

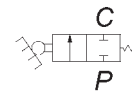
These Direct operated cam valves can be used with a variety of media where quick, positive control is required. With optional seals, they require no lubrication, making them ideal for non-lube air service.

Valves feature a large, resilient poppet that provides bubble-tight closure, even under low pressure conditions. Bronze, brass and stainless steel construction and choice of seal materials provide excellent compatibility with a wide range of media.

For easy service or repair, removal of bottom hex nut from body give quick access to valve's poppet assembly—without the need for disconnecting piping. Three-quarter inch and larger sizes incorporate dual poppet construction to minimize operating force required and to permit rapid valve response with even viscous media.

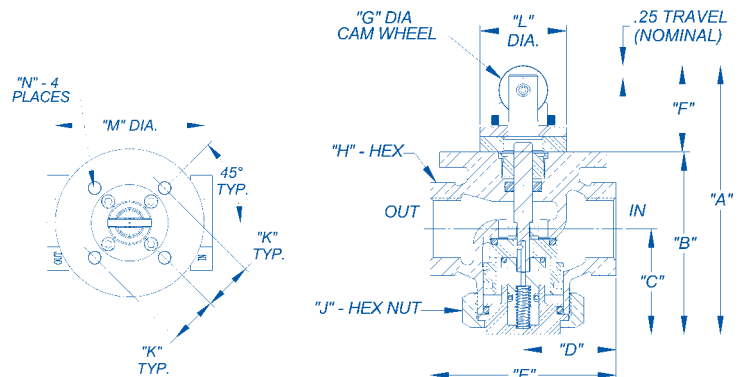


ANSI SYMBOL



Specifications

Body:	Cast Bronze (ASTM B-61)
Internal Parts:	Brass, Bronze and Stainless Steel
Seals:	Buna-N Standard (Optional Seals pg. 15)
Temperature Range:	-30° F to +225° F with Standard Seals (300° F with optional Viton)
Pressure Rating:	0-500 PSI *Vacuum (use -31 suffix)



Model Numbers

NPT Pipe Size (Inches)	CV Factor	Wgt. (Lbs.)	Model No.
1/4	1.9	3.00	321704
3/8	3.8	3.00	321706
1/2	4.0	3.00	321708
3/4	3.87	3.75	321712
1	8.06	5.25	321716
1 1/4	17.10	8.00	321720
1 1/2	23.60	10.5	334824
2	38.00	18.5	324832

Dimension (inches)

Pipe Size	1/4" to 1/2"	3/4"	1"	1 1/4"	1 1/2"	2"
A	5.16 max 5.14 min	5.42 max 5.37 min	5.44 max 5.37 min	7.29 max 7.21 min	7.69 max 7.65 min	9.07 max 8.96 min
B	3.41	3.67	3.69	4.78	5.19	6.56
C	1.78	1.97	2.13	2.83	3.11	4.09
D	1.38	1.62	1.88	2.19	2.44	2.90
E	2.75	3.25	3.75	4.38	4.88	5.80
F	1.75 max 1.73 min	1.75 max 1.70 min	1.75 max 1.68 min	2.51 max 2.43 min	2.51 max 2.47 min	2.51 max 2.40 min
G	1.00	1.00	1.00	1.25	1.25	1.25
H	1.25	1.50	1.88	2.25	2.50	3.25
J	1.62	1.88	2.12	2.75	3.00	4.00
K	1.12	1.12	1.12	1.47	1.47	1.47
L	1.75	1.75	1.75	2.12	2.12	2.12
M	3.38	3.38	3.38	3.38	3.50	3.50
N	.28 Dia.Thru	.28 Dia.Thru	.28 Dia.Thru	.28 Dia.Thru	1/4-20 UNC-2B x .41 DP.	1/4-20 UNC-2B x .41 DP.

Check Valve

Air, Oil or Water

These full capacity check valves can be used with a variety of media. Valves feature a large resilient poppet that provides soft-seat sealing for bubble tight closure, even under low pressure conditions. Bronze, brass and stainless steel construction and a choice of seal materials provide excellent compatibility with a wide range of media.

For easy service or repair, removal of hex nut from body gives quick access to valve's poppet assembly without the need to disconnect piping.



ANSI SYMBOL



Specifications

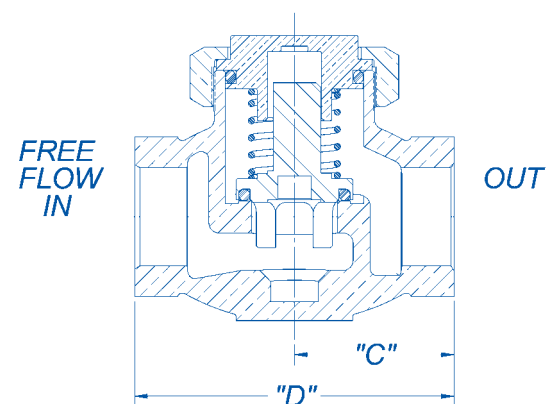
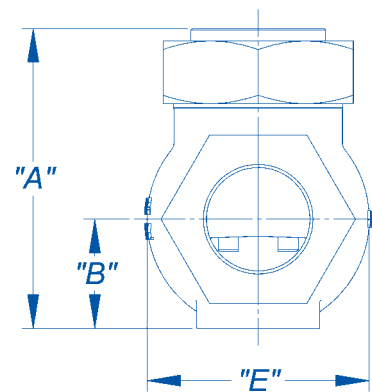
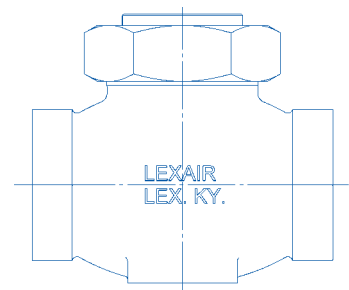
Body:	Cast Bronze (ASTM B-61)
Internal Parts:	Brass and Stainless Steel
Seals:	Buna-N Standard (Optional Seals pg. 15)
Temperature Range:	-30° F to +225° F with Standard Seals (300° F with optional seals)
Pressure Rating:	0-500 PSI

Model Numbers

NPT Pipe Size (Inches)	CV Factor	Wgt. (Lbs.)	Model Number	Cracking Pressure PSI
1/2	3.19	2.00	550108	12
3/4	6.85	3.50	550112	6
1	12.10	5.50	550116	10
1 1/4	21.00	6.50	550120	2
1 1/2	25.80	8.00	550124	15
2	50.00	12.00	550132	7

Dimension (inches)

Pipe Size	1/2"	3/4"	1"	1 1/4"	1 1/2"	2"
A	2.50	2.88	3.48	4.31	4.75	6.12
B	.81	.97	1.21	1.53	1.53	2.00
C	1.38	1.62	1.88	2.18	2.44	2.90
D	2.75	3.25	3.75	4.38	4.88	5.81
E	1.56	1.88	2.31	3.00	3.50	3.93



3-Way Multi-Function Solenoid Valve

Normally Open or Closed 1/8" and 1/4" NPTF

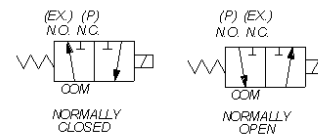
Lexair Solenoid valves are the perfect operator for Lexair's pilot-operated 2-way and 3-way poppet valves. The 1/4" NPT male bottom port threads directly into the pilot port of Lexair pilot operated poppet valves. Low current draw and bubble-tight sealing provide millions of cycles of trouble-free service.



Specifications

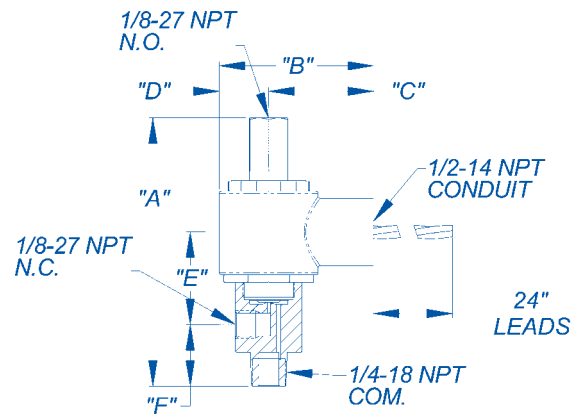
Body:	Brass Standard
Internal Parts:	Stainless Steel
Seals:	Buna-N Standard
Temperature Range:	-0° F to +180° F
Solenoids:	Continuous Duty, AC or DC
Maximum Operating Pressure:	150 PSI
Orifice Size:	In .062 Dia. Out .062 Dia.
Flow Factor:	In .095 Cv Out .095 Cv
Power Consumption:	9.5 watts DC 8.7 watts AC

ANSI SYMBOL



Model Numbers

Model Number	Voltage
03-3031	120 VOLT/ 60 HERTZ
03-3032	240 VOLT/ 60 HERTZ
03-3033	480 VOLT/ 60 HERTZ
03-3034	6 VOLT DC
03-3035	12 VOLT DC
03-3036	24 VOLT DC
03-3037	24 VOLT / 60 HERTZ



Dimension (inches)

P/N	A	B	C	D	E	F
03-30XX	4.19	2.38	1.50	0.88	1.60	0.84

Explosion Proof 3-Way Valve

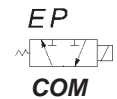
Normally Closed

Lexair's explosion-proof, 3-way, normally closed solenoid valve is UL listed* for use in hazardous locations. The valve's soft-seated poppet design provides bubble-tight sealing in air applications.

The male 1/4 NPT outlet port mounts directly on Lexair 2-way and 3-way poppet valves or other pilot operated valves. This provides simple, safe and effective valve operation in hazardous environments.



ANSI SYMBOL



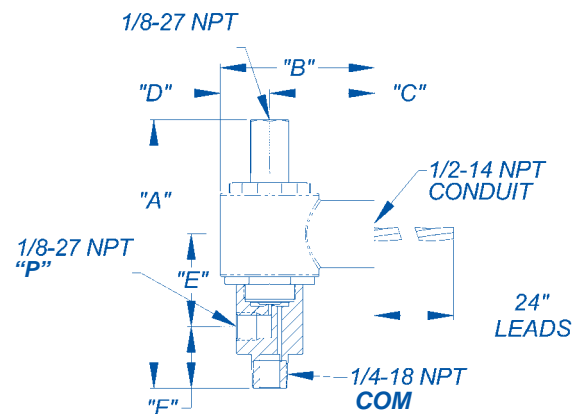
Specifications

Body:	Brass Standard
Internal Parts:	Stainless Steel
Seals:	Buna-N
Temperature Range:	-0° F to +104° F Ambient; Valve temp. TC3 160° C max.
Solenoids:	Continuous Duty
Maximum Operating Pressure:	150 PSI
Orifice Size:	In .046Dia. Out .062 Dia.
Flow Factor:	In .055 Out .075
Power Consumption:	7 watts DC, 6 watts AC

*Listings: Class 1; Group C and D
Class 1; Div. 2, Groups A,B,C and D
Class 2; Groups E,F and G

Model Numbers

Model Number	Voltage
3500-01	120 VOLTS/ 60 HERTZ
3500-02	240 VOLTS/ 60 HERTZ
3500-07	24 VOLTS/ 60 HERTZ



Dimension (inches)

P/N	A	B	C	D	E	F
3500-01	3.93	2.25	1.53	0.72	1.35	0.91

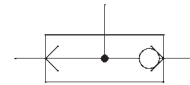
Shuttle Valve

Air, Oil, or Water

These quick acting large capacity shuttle valves reliably direct flow from either of two sources to a single output. Solid Delrin® pistons and soft rubber seats provide bubble-tight sealing, even in low pressure applications. The valve's simple drop-out body design allows for quick and easy service without the need to disconnect piping.



ANSI SYMBOL



Specifications

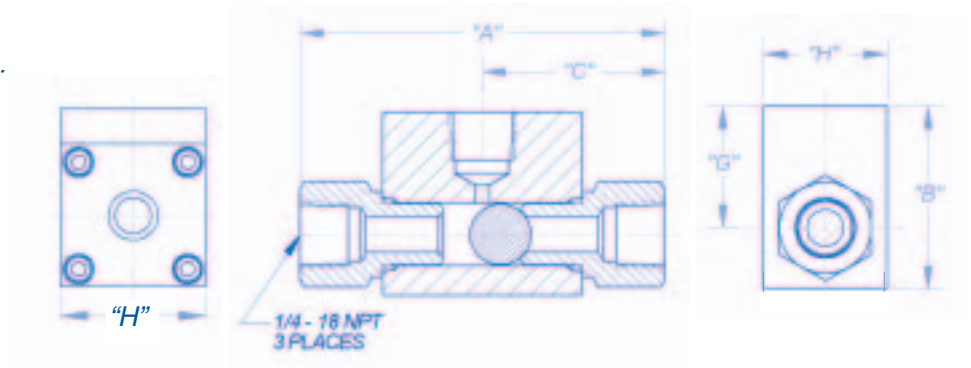
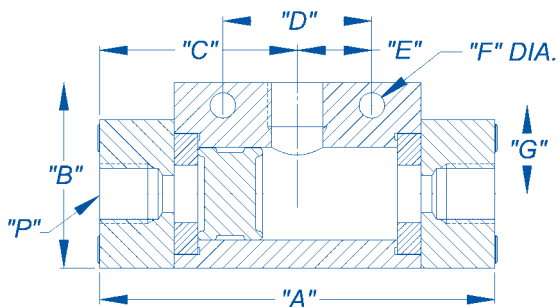
Body:	Aluminum
End Cap:	Aluminum
Piston:	Delrin
Seals:	Standard Buna
Temperature Range:	-30° F to +180° F
Pressure Rating:	150 PSI

Model Numbers

NPT Pipe Size (Inches)	Wgt. (Lbs.)	Model Number
1/4		4211-801
1/2	2.00	4241-801
3/4	2.00	4241-802
1	3.60	4241-804
1 1/2		4241-805

Dimension (inches)

Pipe Size	Dimension (inches)			
	1/4"	1/2" & 3/4"	1"	1 1/2"
A	3.15	5.32	6.00	7.25
B	1.50	2.50	3.00	4.00
C	1.57	2.66	3.00	3.62
D	—	2.00	2.25	3.00
E	—	1.00	1.12	1.50
F	—	.34	.34	.42
G	1.00	1.19	2.62	1.75
H	1.00	2.00	2.50	3.50



Lexair® Optional Features

Options

Seal Material and Other Options	Application	Temp. Range	Option No.
Buna-N	A soft synthetic rubber for service in petroleum oils, air, water, mild acids, alcohol, acetylene, kerosene, lime solutions, liquefied petroleum gas and turpentine	-30°F to +225°F	Standard
Molybdenum Disulfide Impregnated Buna-N	Designed for non-lube air service—dynamic type seals only. Buna-N furnished for all static seals.	-30°F to +225°F	-25
Viton	A high temperature soft synthetic material used for many fluids not compatible with Buna-N	0°F to +400°F	-26
Teflon® Seats Viton Seats	High temperature gases and fluids, phosphate esters and glycol oils	0°F to +400°F	-28
Ethylene Propylene	Excellent for phosphate ester type fluids. Not recommended for petroleum based lubricants and hydraulic oils.	-40°F to +300°F	-29
Vacuum Service			-31
Nickel-Plated Brass Pilot Cap			-B
Brad Harrison Electrical Connector			-21
Stainless Steel Hardware			-27
Teflon® Seats Ethylene Propylene Seats	Steam service with high temperature water. Note: 100 psi or less. Consult factory before ordering any valves for steam service.	0°F to +300°F	-32

Lexair® Valves for Every Application

Send for one or more of these helpful catalogs:

CATALOG LX45

TUBE-O-MATIC Valve—2 Way construction features operating data-pressure to 250 psi. Pipe sizes 1/4" - 2 1/2" NPT. 4 pgs.

CATALOG LX-300

HI-CYLIC—Directional Control Valves—2, 3, or 4 way, 2 or 3 position for pneumatic service to 150 psi and hydraulic service to 3000 psi. Ports 1/8" - 1/2" NPT or SAE straight thread "O" ring. 30 pgs.

CATALOG LX-500

MINI I—Pneumatic valves—3 and 4 way, pilot and solenoid operated 1/4" NPT and manifold mounted. 1.1 CV capacity. 4 pgs.

CATALOG LX-525

MINI I—Pneumatic valves—3 and 4 way, manually and mechanically operated 1/4" NPT Stackable for compactness, low cost, low maintenance 1.0 CV capacity. 4 pgs.

CATALOG LX-550-B

2WAY POPPET valves—Quick acting for air, liquid, gas or vacuum service. Remote and direct pilot operated on/off valves to 2"NPT. Solenoid and remote direct pilot operated. Pilot ratios of 10:1. 12 pgs.

Lexair, Inc.

2025 Mercer Road
Lexington, KY 40511-1018
859-255-5001
859-255-6656 Fax
www.lexairinc.com



National
FLUID POWER
Association

MEMBER

Catalog LX-550-B
Revised 10/01

Four different
lines—each the
best of its kind.
It could be
the smartest
valve decision
you have
ever made