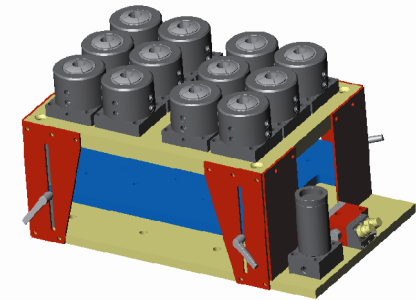
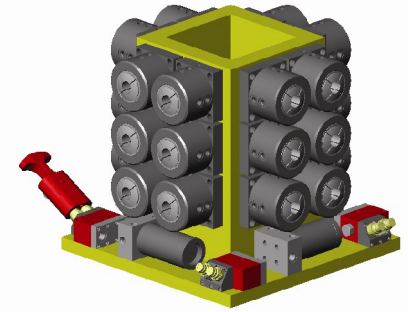
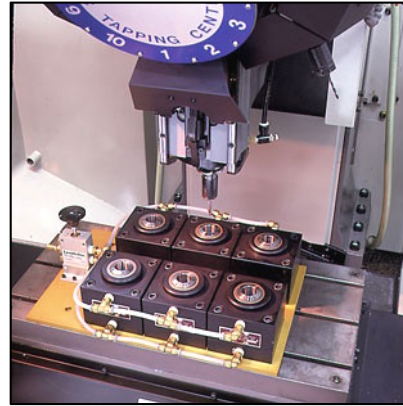
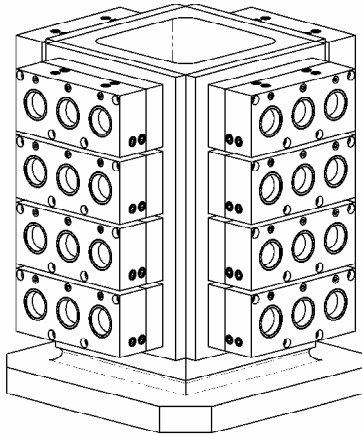


Collet Closers



Complete family of stationary collet workholding components that can be utilized individually or grouped together form a system. Double acting pneumatic or hydraulic models are available in fixed-length and pull-back versions

Lexair can custom design and build turnkey solutions for any workholding application.