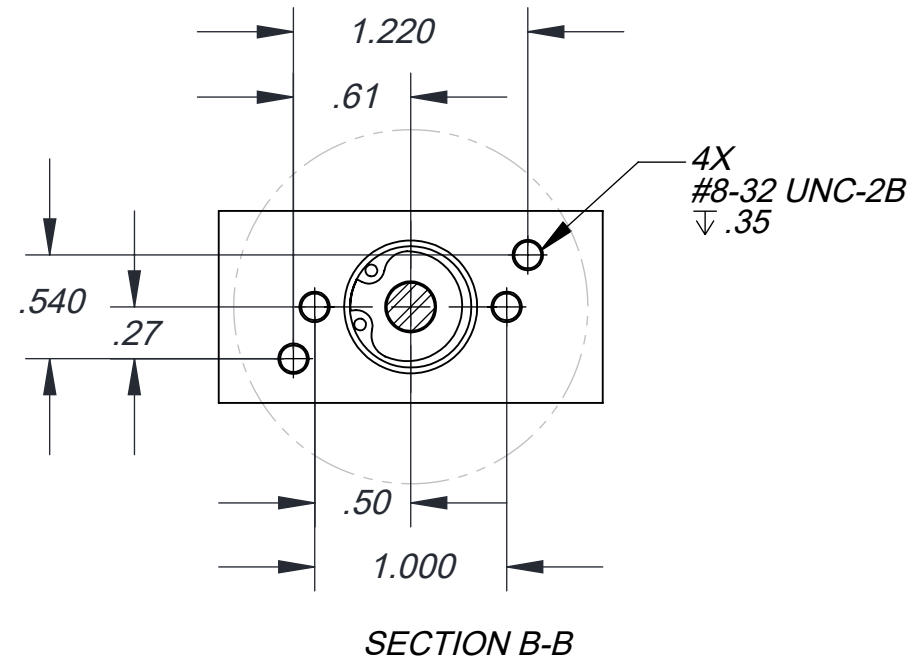
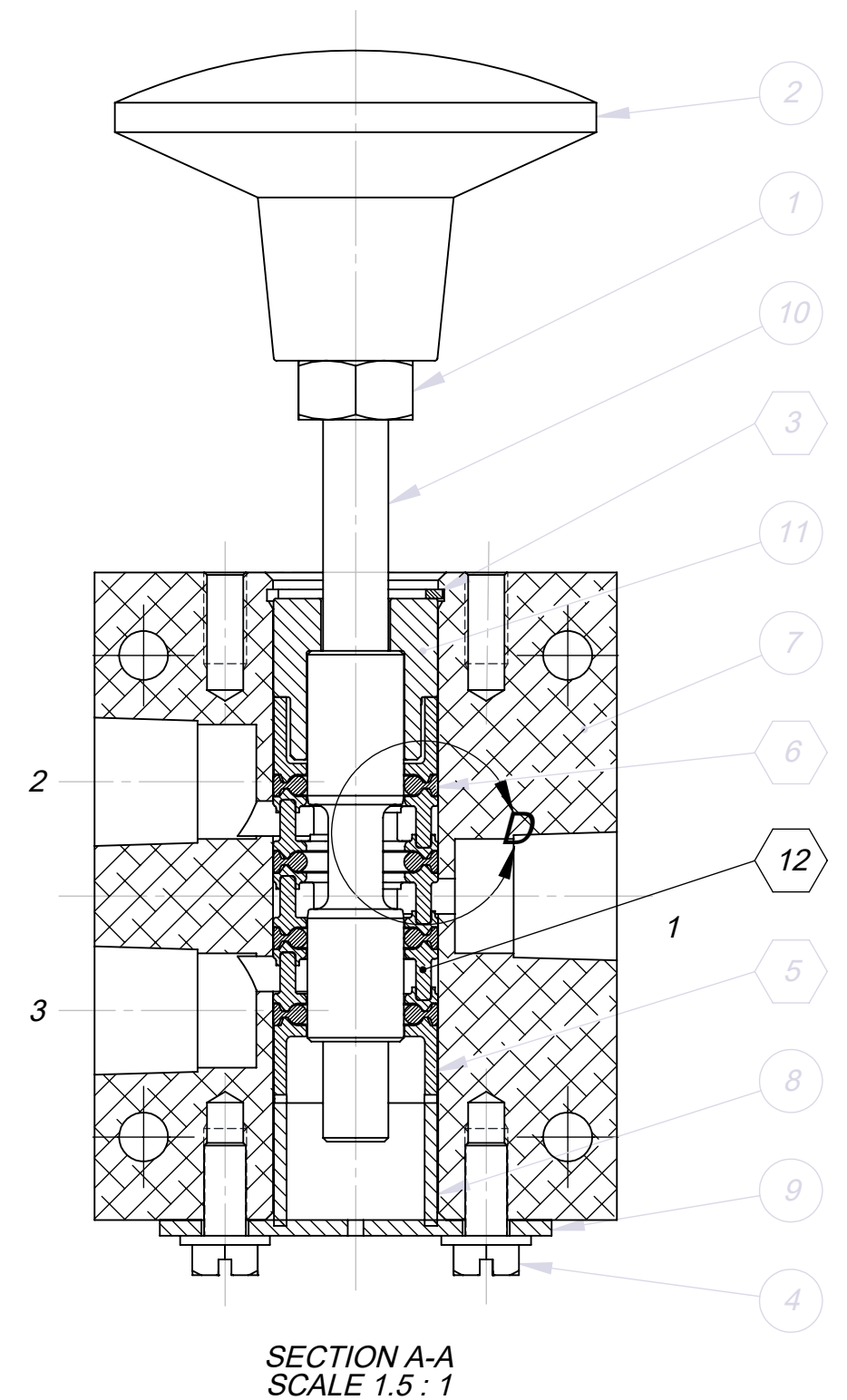
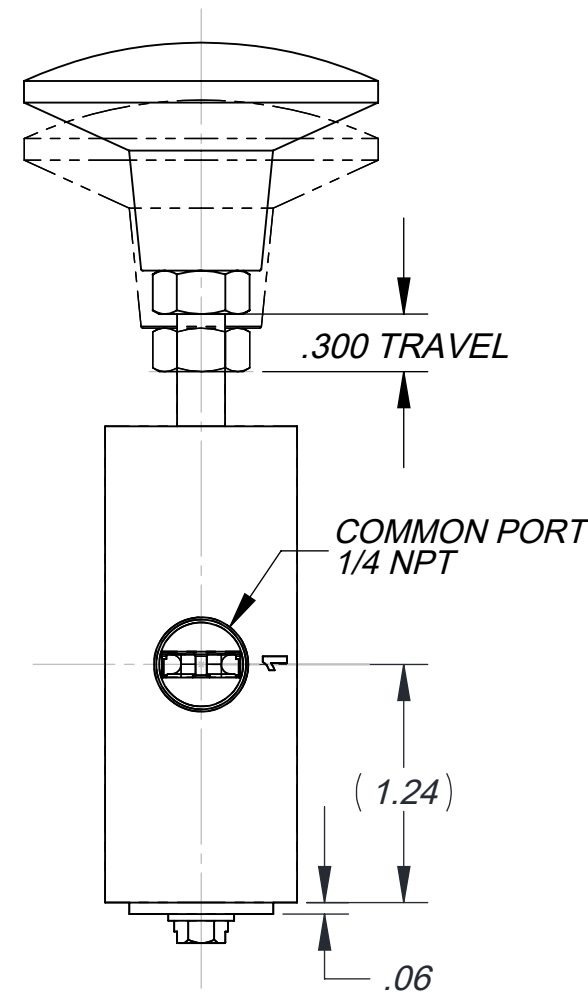
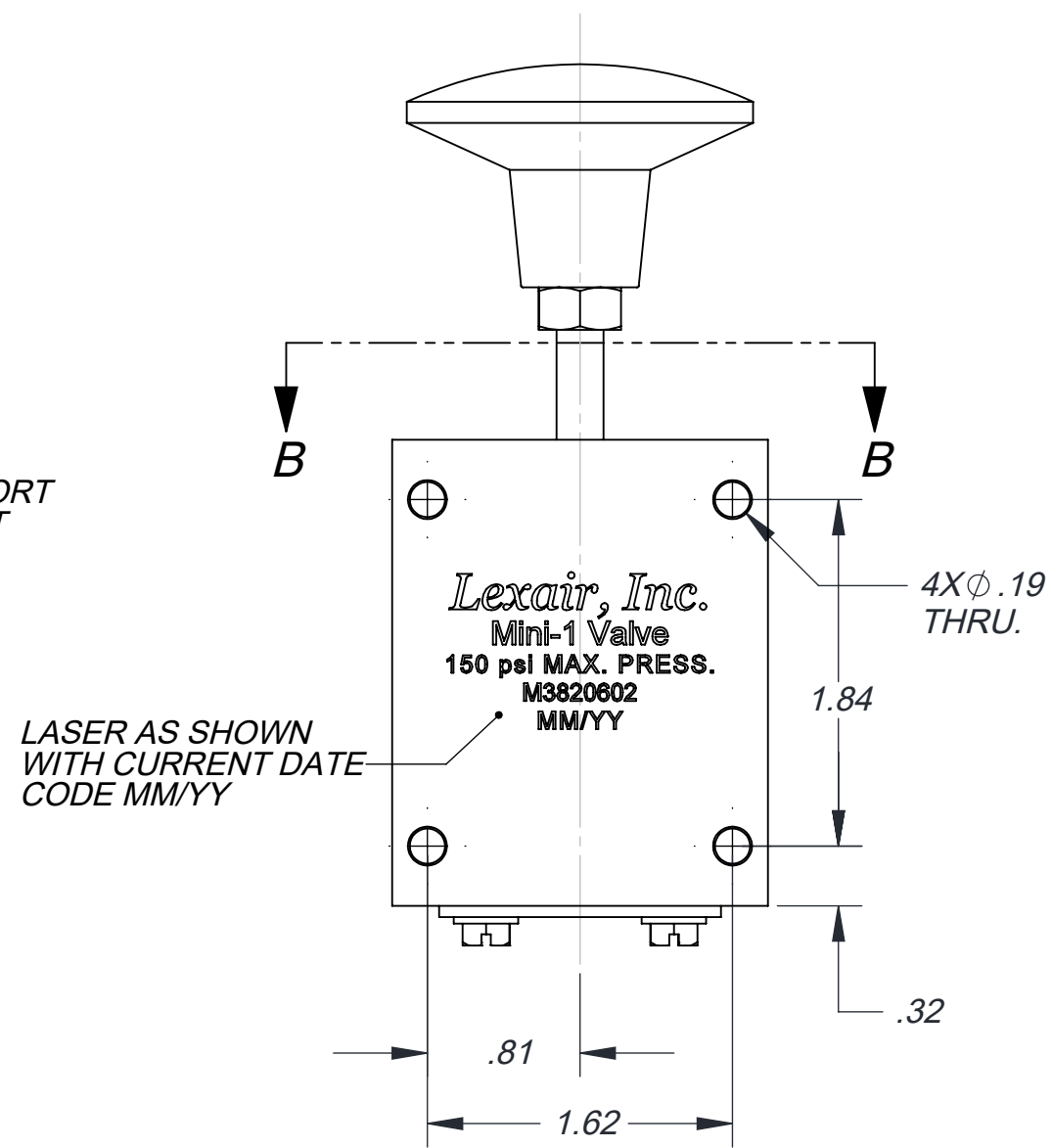
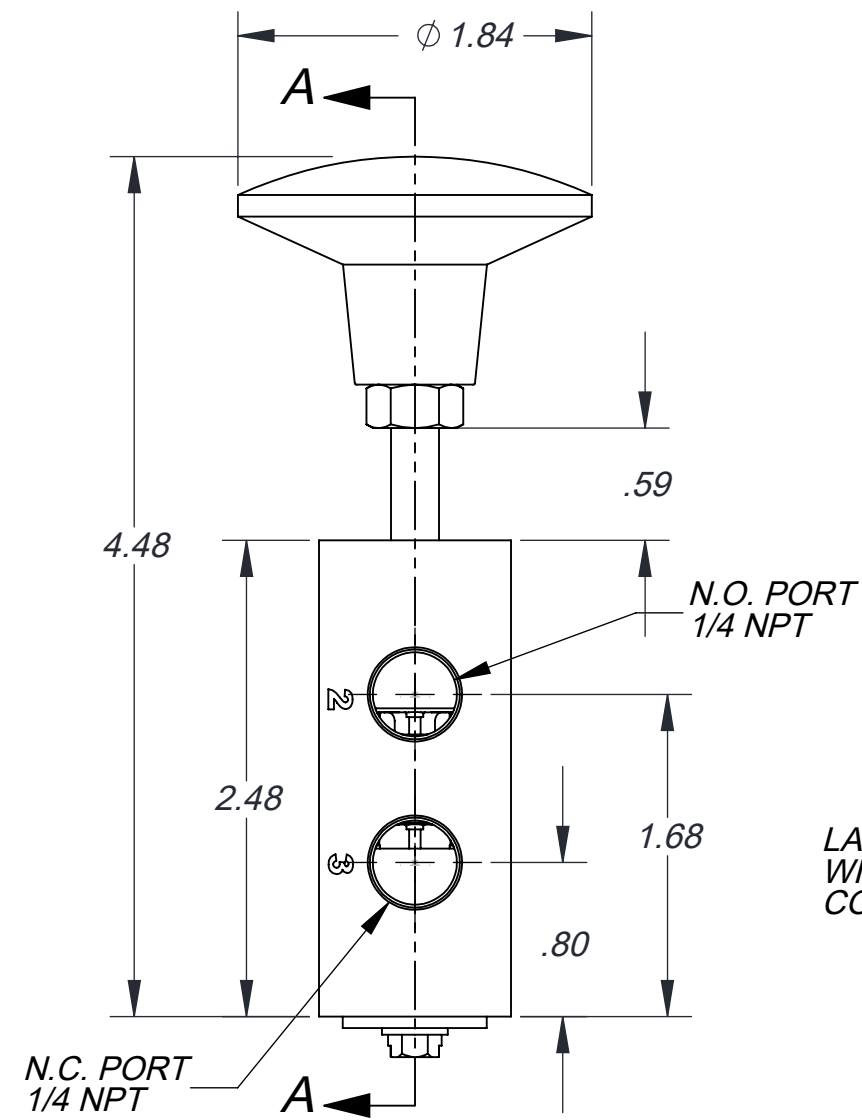


CONNECTION SCHEMATIC



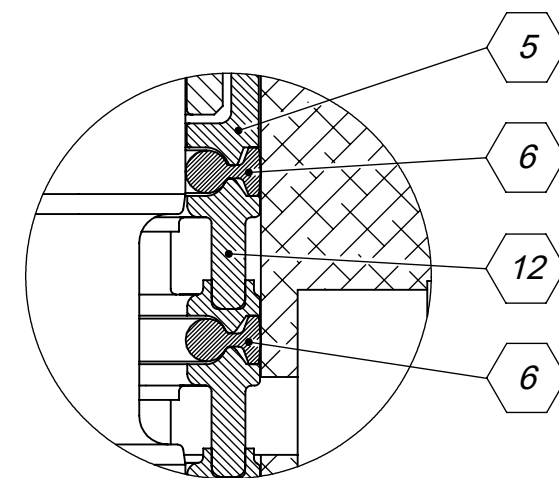
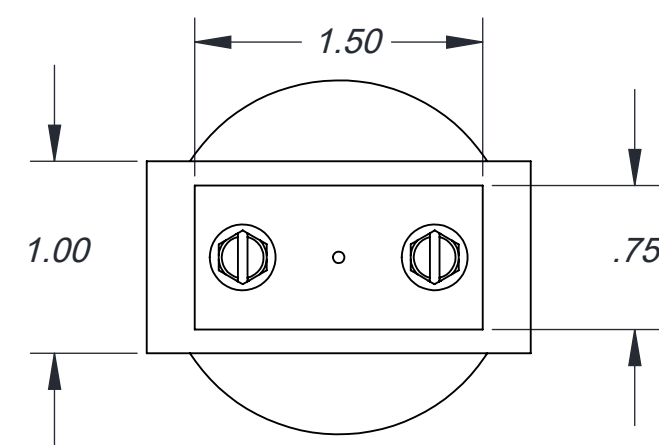
SECTION B-B



SECTION A-A SCALE 1.5:1

NOTES:

1. SPOOL TRAVEL: .300 MAX.
2. OPERATING PRESSURE: 150 PSI MAX.
3. TEMPERATURE RANGE: -20° F TO 160° F.
4. PRIMARY OPERATOR: PALM BUTTON
5. SECONDARY OPERATOR: NONE.
6. SERVICE MEDIA: PNEUMATIC.
7. SEAL MATERIAL: STD. = BUNA-N
8. SERVICE PARTS ARE MARKED IN A CIRCLE.
9. REPAIR PARTS ARE MARKED IN A HEX.
10. REPAIR KIT: STD. = 11-0394.
11. MUST BE MOUNTED HORIZONTALLY



DETAIL D SCALE 3:1

ITEM NO.	PART NUMBER	DESCRIPTION	Default/QTY.
1	01-0225	NUT, 1/4-20, ZINC	1
2	01-0281	BUTTON, PALM	1
3	01-0282	RETAINING RING, INT., .625, PHOS	1
4	01-2027-1	SCREW, HHC, 8-32 X .37	2
5	11-0300	SPACER, END	2
6	11-0302	SEAL, MINI-1	4
7	11-0308	BODY, VALVE, 3 WAY	1
8	11-0316	SPACER TUBE	1
9	11-0334	END PLATE	1
10	11-0337	SPOOL, 3 WAY	1
11	11-0349	GUIDE, SPOOL	1
12	11-0362	SPACER ASSY., SEAL	3

REVISIONS

A	ECL: 22002 10-26-21 TES UPDATED TO CURRENT ENG. STDS.
B	ECL: 22029 04-04-22 TES UPDATED TEMP IN NOTE 3 AND ADDED HORIZ. NOTE

ECL: 10040 07-09-10 MDL	Tolerances Unless Otherwise Specified:		MATERIAL SPEC.	PC. NO.: M3820602
	TYPE	FINISHED AS CAST		MADE FROM:
	DEC .00 ± .015" ± .030"			MODEL FILE: M3820602.sldasm
	FRACTIONAL ± .005" ± .010"			CAD FILE: M3820602.slddrw
FINISH 175 µ in.			PROCESS SPEC.	C M3820602
VALVE ASSY., MINI1				SHEET NO. 1 of 1 SHEETS
3 WAY, PALM BUTTON				SCALE 1:1
Lexair, Inc.		DRAWN MDL	CHECKED MBR	APRVD. MDL
2025 Mercer RD, Lexington, Kentucky 40511		07-09-10	07-09-10	07-09-10
APPROX. WT. 0.54 LBS				

THIS DOCUMENT AND ITS CONTENTS ARE THE PROPERTY OF LEXAIR, INC. THEY ARE FURNISHED TO YOU ON THE FOLLOWING CONDITIONS: NO RIGHT OR LICENSE IN RESPECT OF THIS DOCUMENT OR ITS CONTENTS IS GIVEN OR WAIVED IN SUPPLYING THE DOCUMENT TO YOU. THIS DOCUMENT OR ITS CONTENTS ARE NOT TO BE USED OR TREATED IN ANY MANNER INCONSISTENT WITH THE RIGHTS OF LEXAIR, INC. OR TO ITS DERIVATIVE AND ARE NOT TO BE COPIED, REPRODUCED, OR DISCLOSED OF, EXCEPT WITH ITS PRIOR WRITTEN CONSENT.