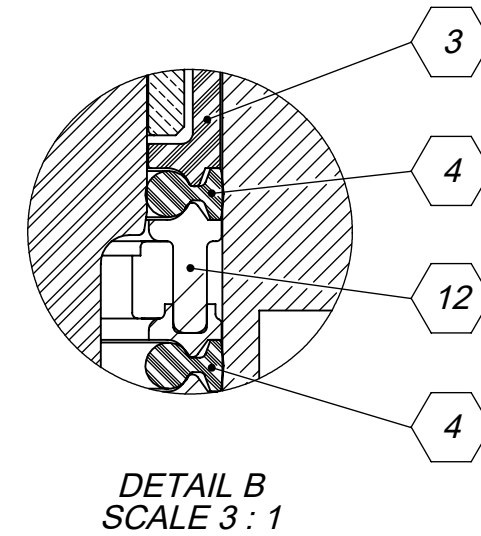
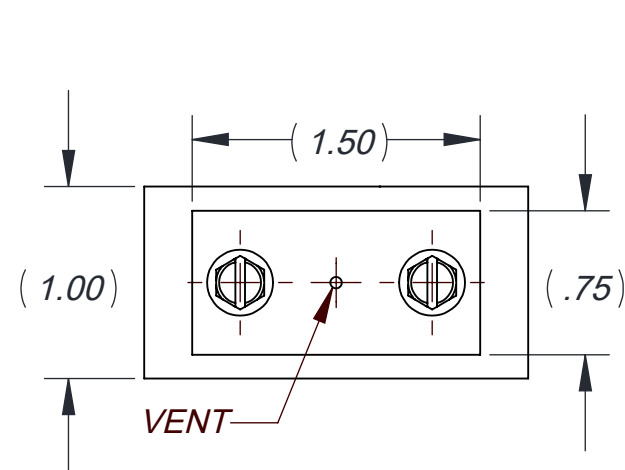
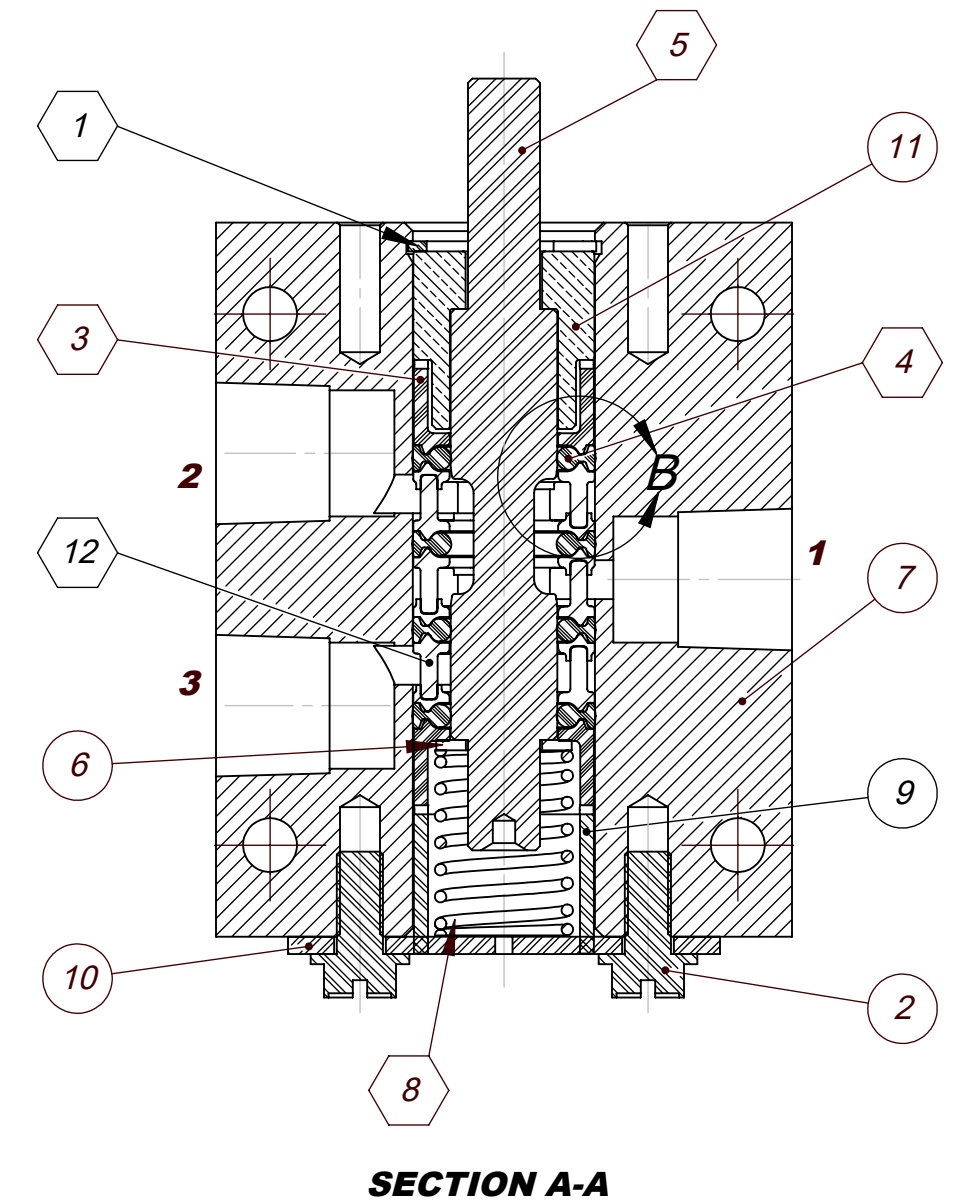
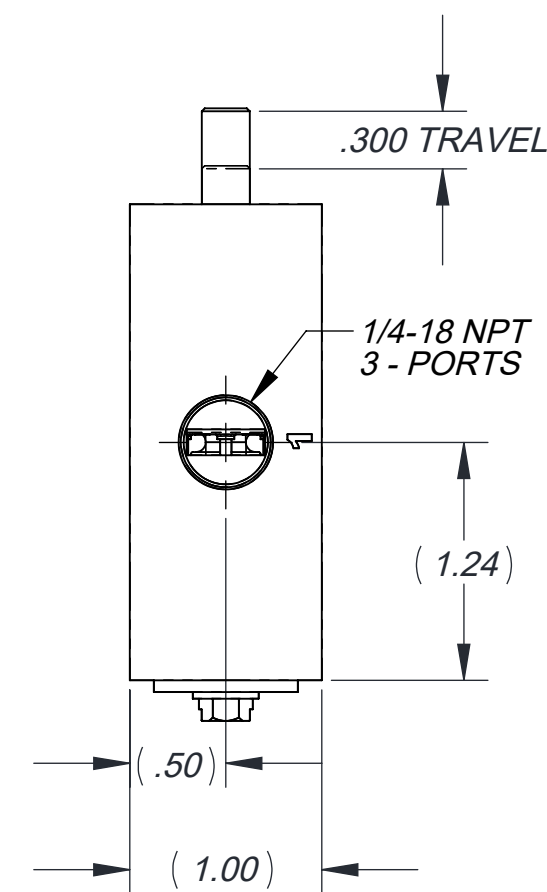
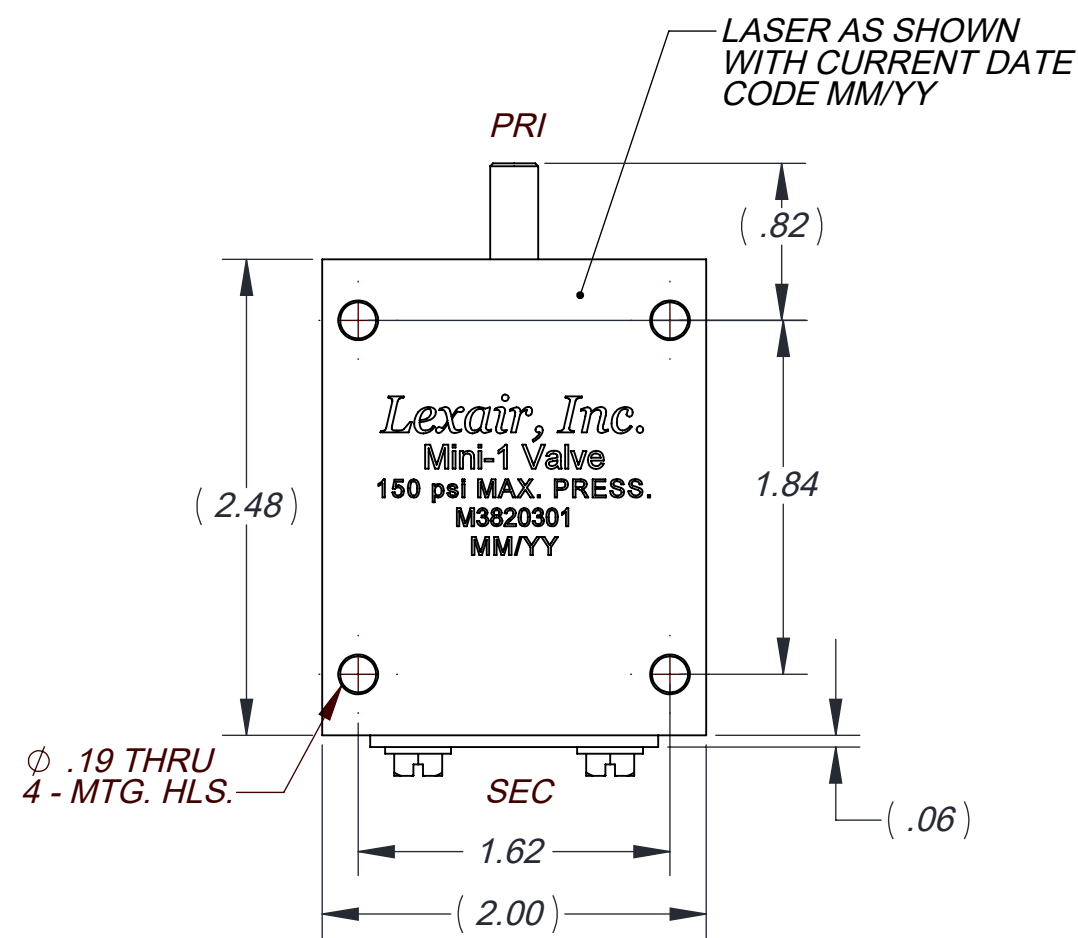
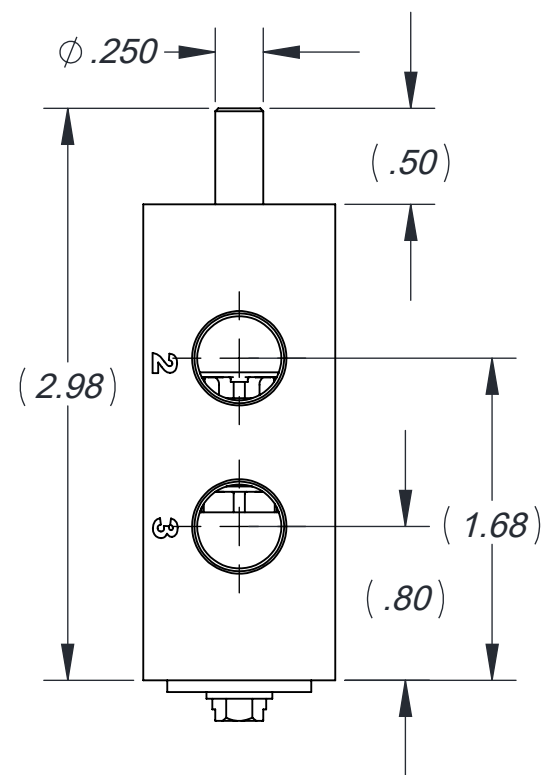
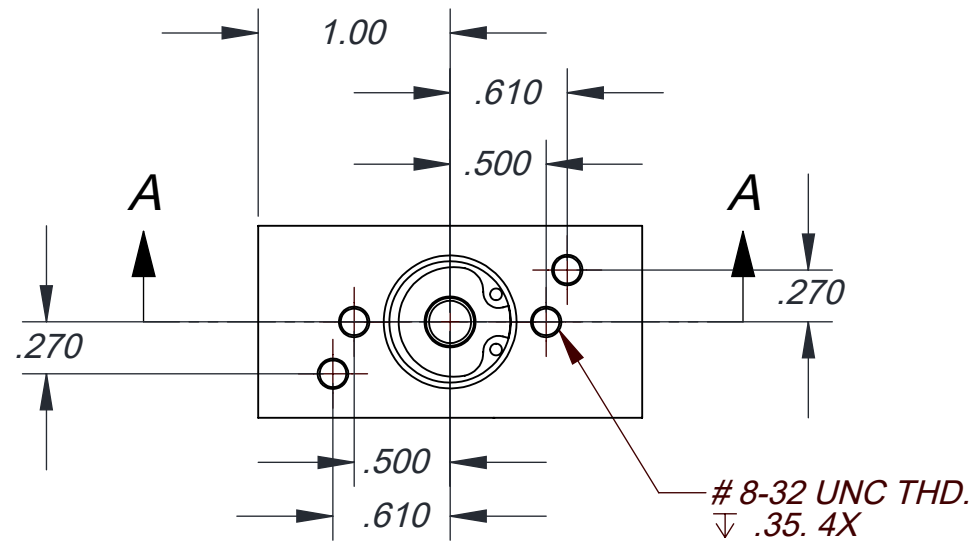


- NOTES:**
1. SPOOL TRAVEL: .300 MAX.
 2. OPERATING PRESSURE: 150 PSI MAX.
 3. TEMPERATURE RANGE: -20° F TO 160° F.
 4. PRIMARY OPERATOR: PLAIN EXTN.
 5. SECONDARY OPERATOR: SPRING RETURN.
 6. SERVICE MEDIA: PNEUMATIC.
 7. SEAL MATERIAL: STD. = BUNA-N.
FOR ALL OTHERS CONSULT THE FACTORY.
 8. SERVICE PARTS ARE MARKED IN A CIRCLE.
 9. REPAIR PARTS ARE MARKED IN A HEX.
 10. REPAIR KIT: STD. = 11-0394.



ITEM NO.	PART NUMBER	DESCRIPTION	QTY.
1	01-0282	RETAINING RING, INT., .625, PHOS	1
2	01-2027-1	SCREW, HHC, 8-32 X .37	2
3	11-0300	SPACER, END	2
4	11-0302	SEAL, MINI-1	4
5	11-0303	SPOOL 3-W MINI-1	1
6	11-0304	WASHER, SPRING SUPPORT	1
7	11-0308	BODY, VALVE, 3 WAY	1
8	11-0309	SPRING, COMP.	1
9	11-0316	SPACER TUBE	1
10	11-0334	END PLATE	1
11	11-0349	GUIDE, SPOOL	1
12	11-0362	SPACER ASSY., SEAL	3

THIS DOCUMENT AND ITS CONTENTS ARE THE PROPERTY OF LEXAIR, INC. THEY ARE FURNISHED TO YOU ON THE FOLLOWING CONDITIONS: NO RIGHT OR LICENSE IN RESPECT OF THIS DOCUMENT OR ITS CONTENTS, EITHER OR WAIVED IN SUPPLYING THE DOCUMENT TO YOU. THIS DOCUMENT OR ITS CONTENTS ARE NOT TO BE USED OR TREATED IN ANY MANNER INCONSISTENT WITH THE RIGHTS OF LEXAIR, INC. OR TO ITS DETRIMENT AND ARE NOT TO BE COPIED, REPRODUCED, OR DISCLOSED OF, EXCEPT WITH ITS PRIOR WRITTEN CONSENT.

REVISIONS

- PREVIOUS REVS. OMITTED.
- E** REDRAWN TO CURRENT ENG. STDS. ECL: 06052 05-10-06 HWP TPO
 - F** UPDATED TO CURRENT ENGINEERING STDS. ECL: 21062 05-10-06 TES
 - G** UPDATED DIMENSIONS AND ADDED TRAVEL DIM ECL: 22029 04-04-22 TES

Tolerances Unless Otherwise Specified:			MATERIAL SPEC.	PC. NO.: M3820301
TYPE	FINISHED	AS CAST	PROCESS SPEC.	MADE FROM:
DEC .00	\pm .015"	\pm .030"		MODEL FILE: M3820301.SLDASM
DEC .000	\pm .005"	\pm .010"		CAD FILE: M3820301.slddrw
FRACTIONAL	\pm 1/64"	\pm 1/32"		
ANGLES *	\pm 1/2°	\pm 1°		
FINISH 175 μ in.				
3-W, PLAIN EXTN., SPR. RETN. MINI-1 VALVE ASSY.				C M3820301
DRAWN HWP			CHECKED TPO	APRVD. TPO
2025 Mercer RD, Lexington, Kentucky 40511			05-10-06	05-10-06
			SHEET NO. 1 of 1	SHEETS
			SCALE 1.5:1	
			APPROX. WT. 0.492 LBS	