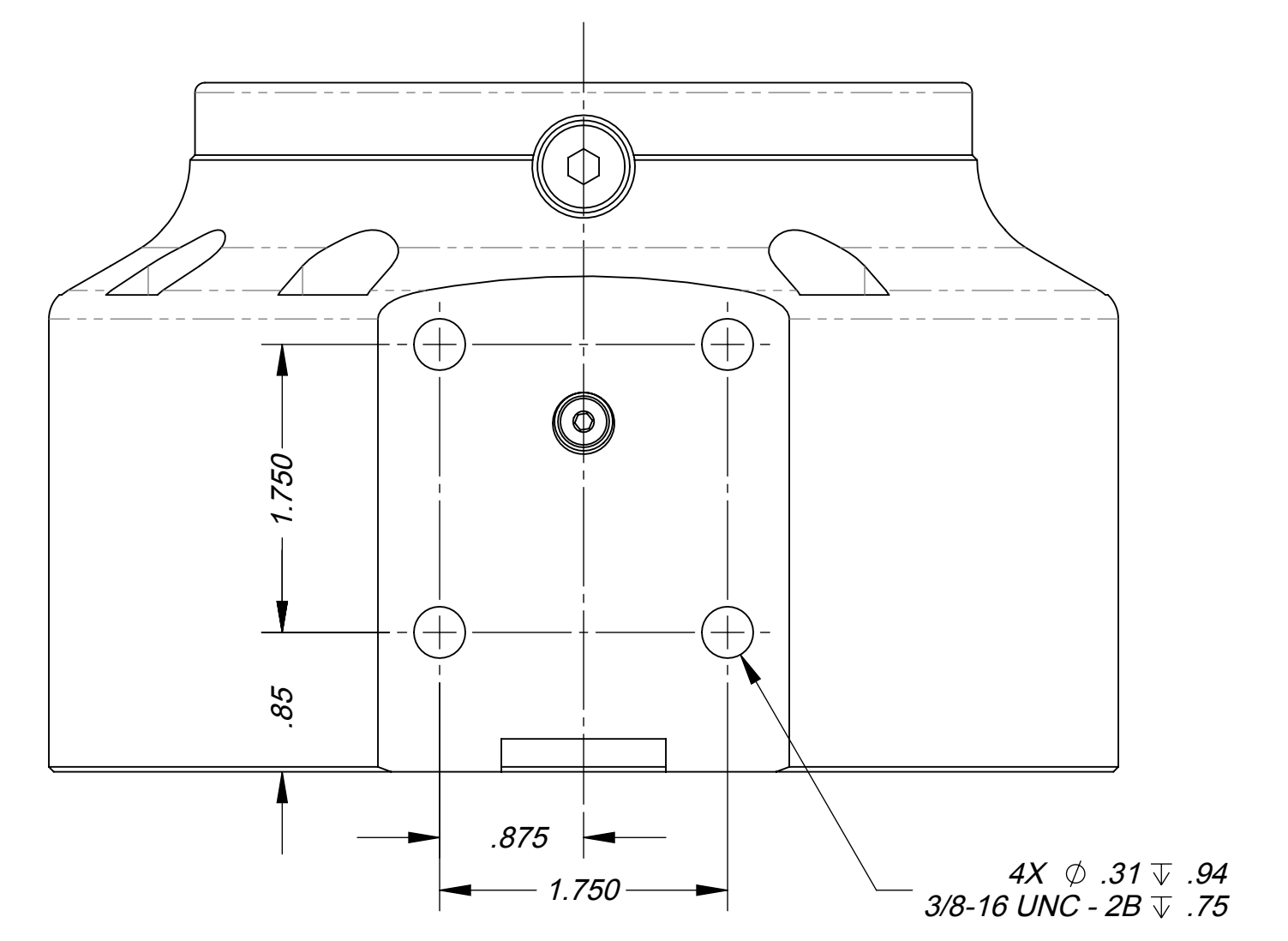
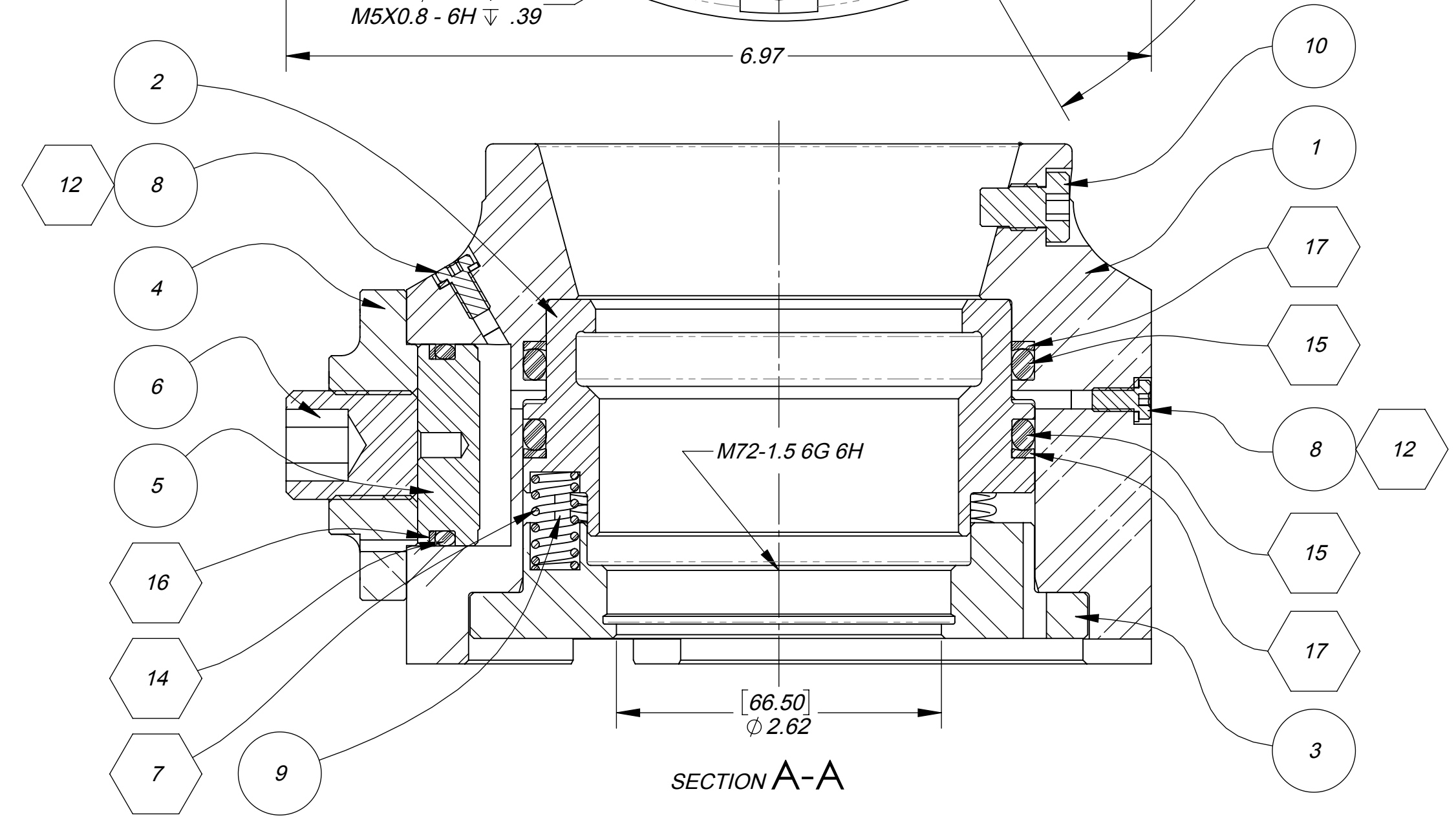
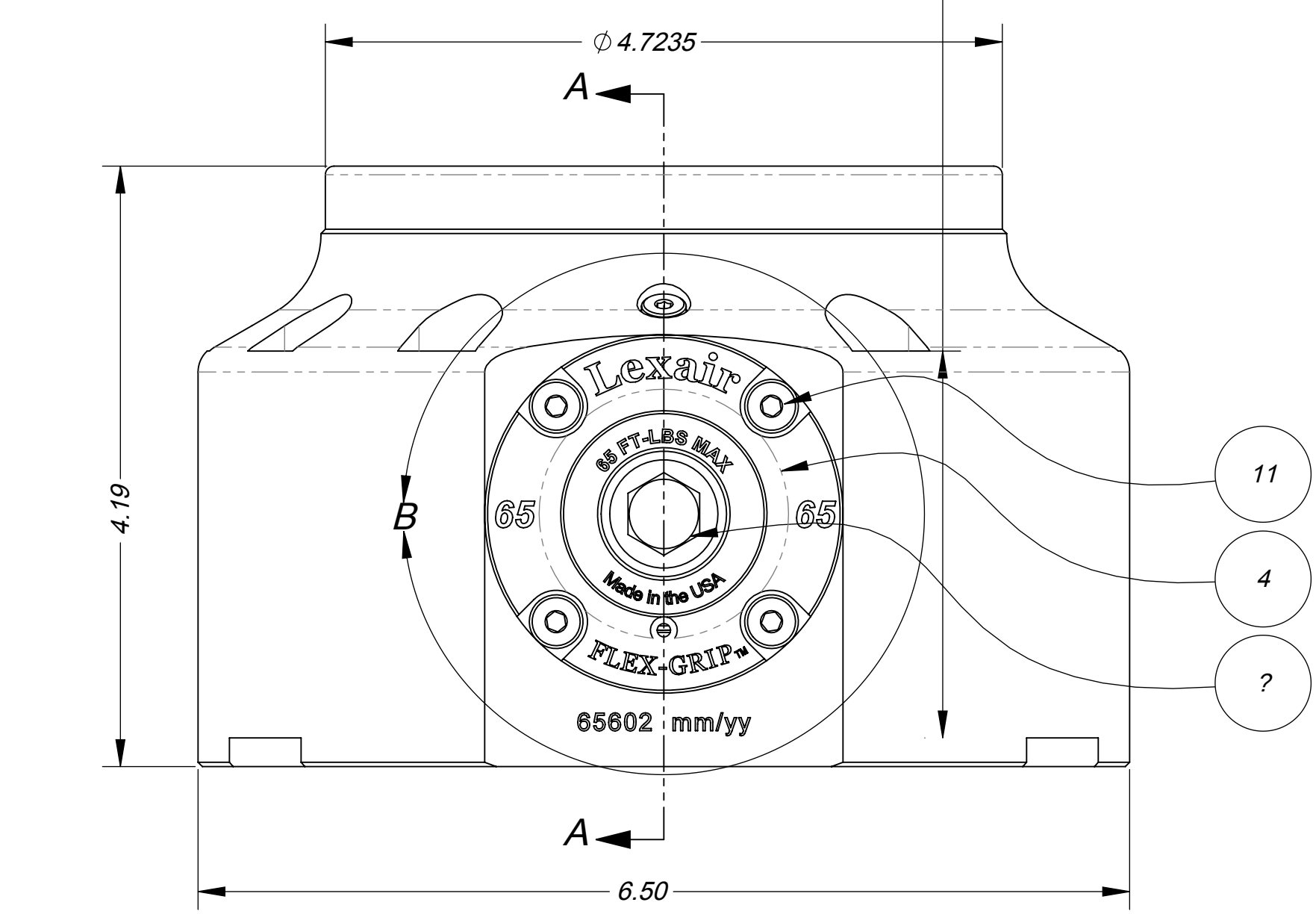
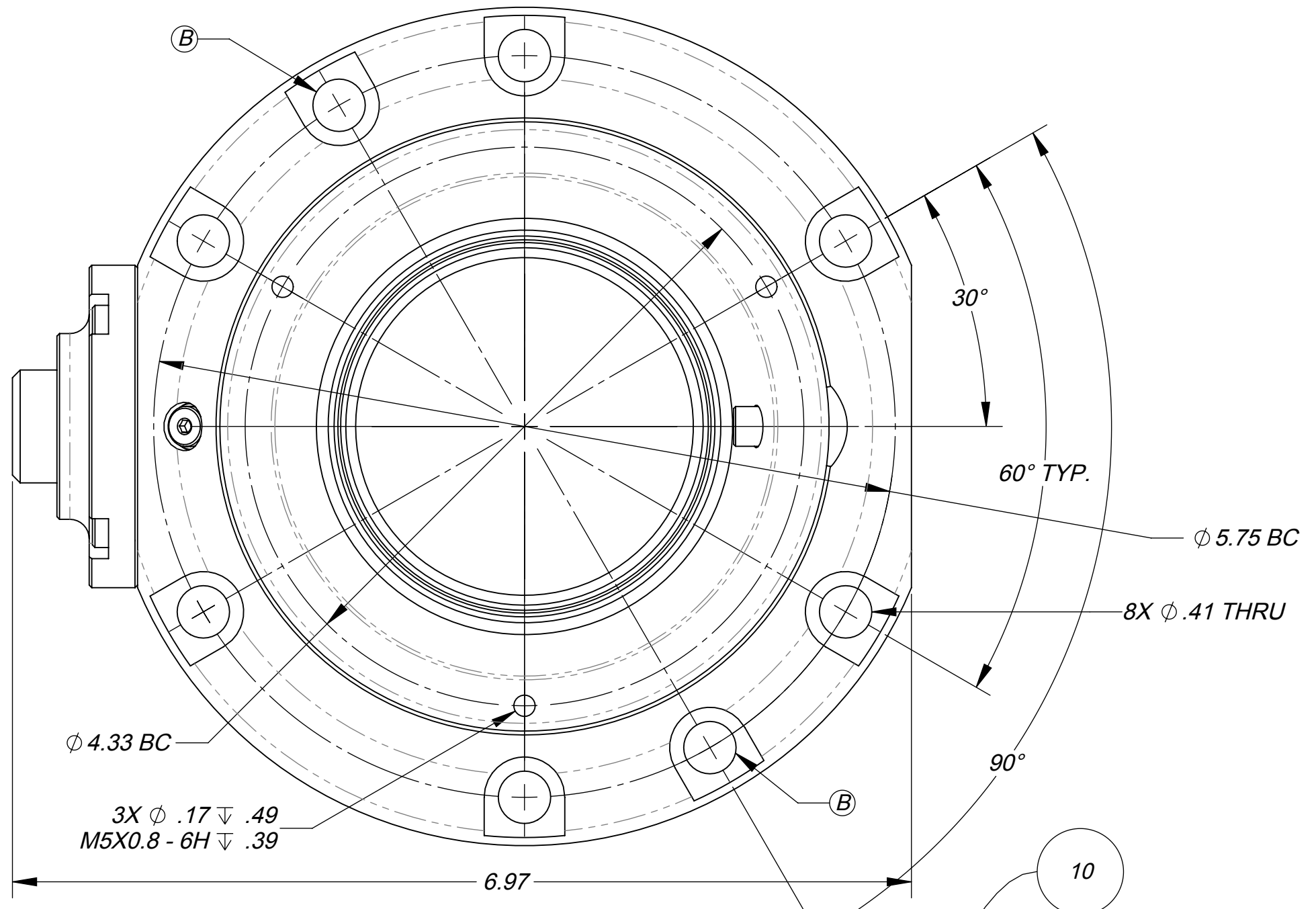
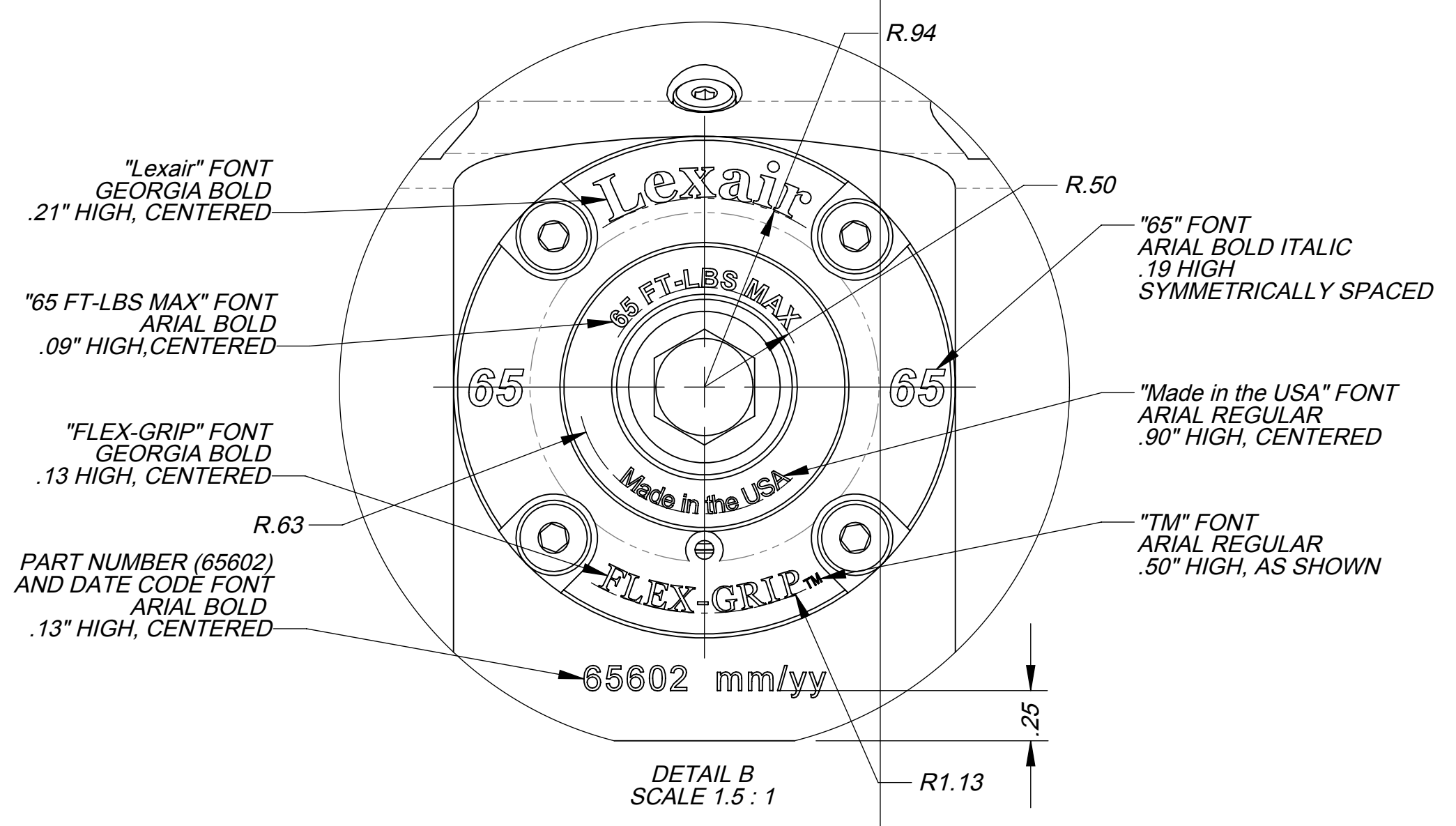


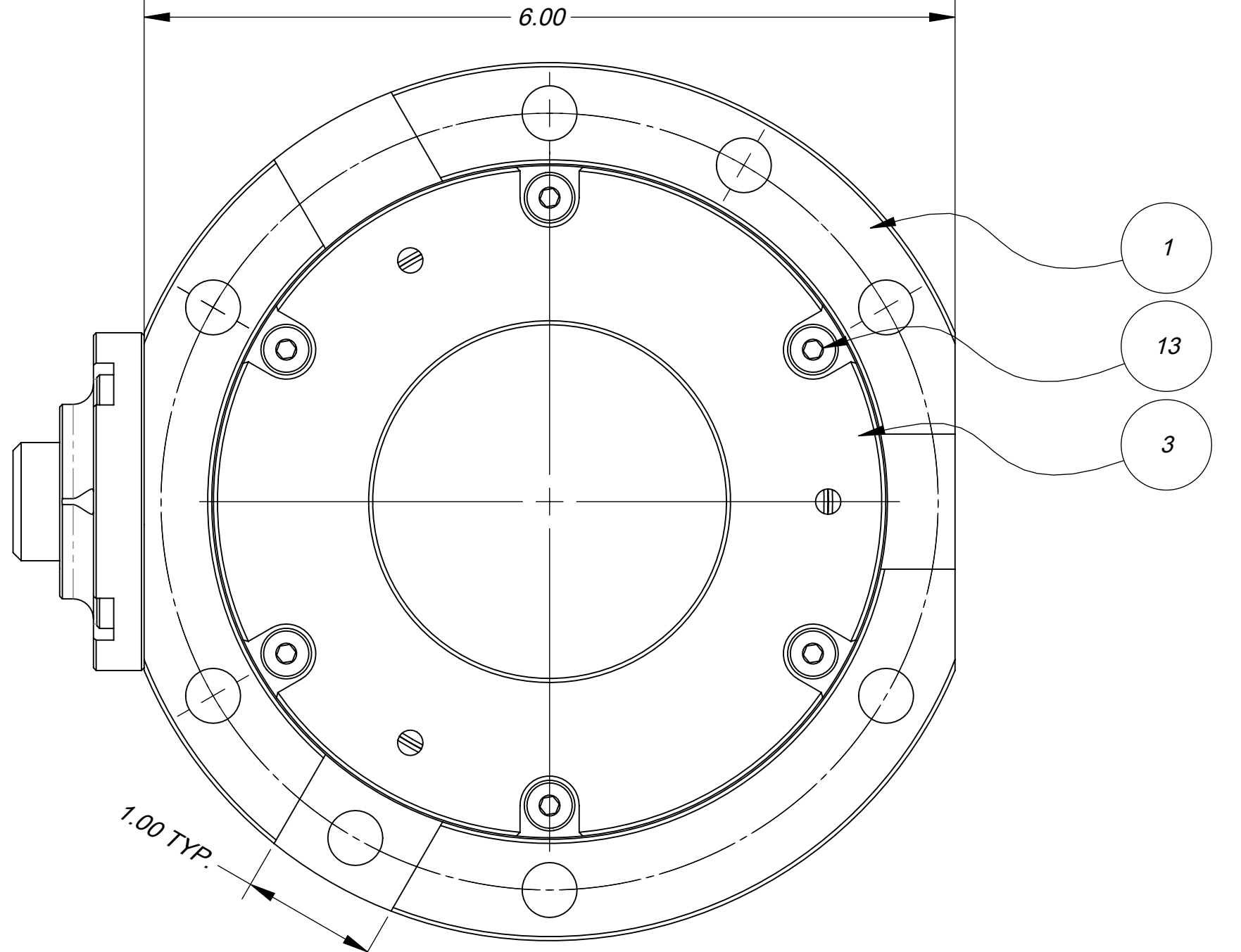
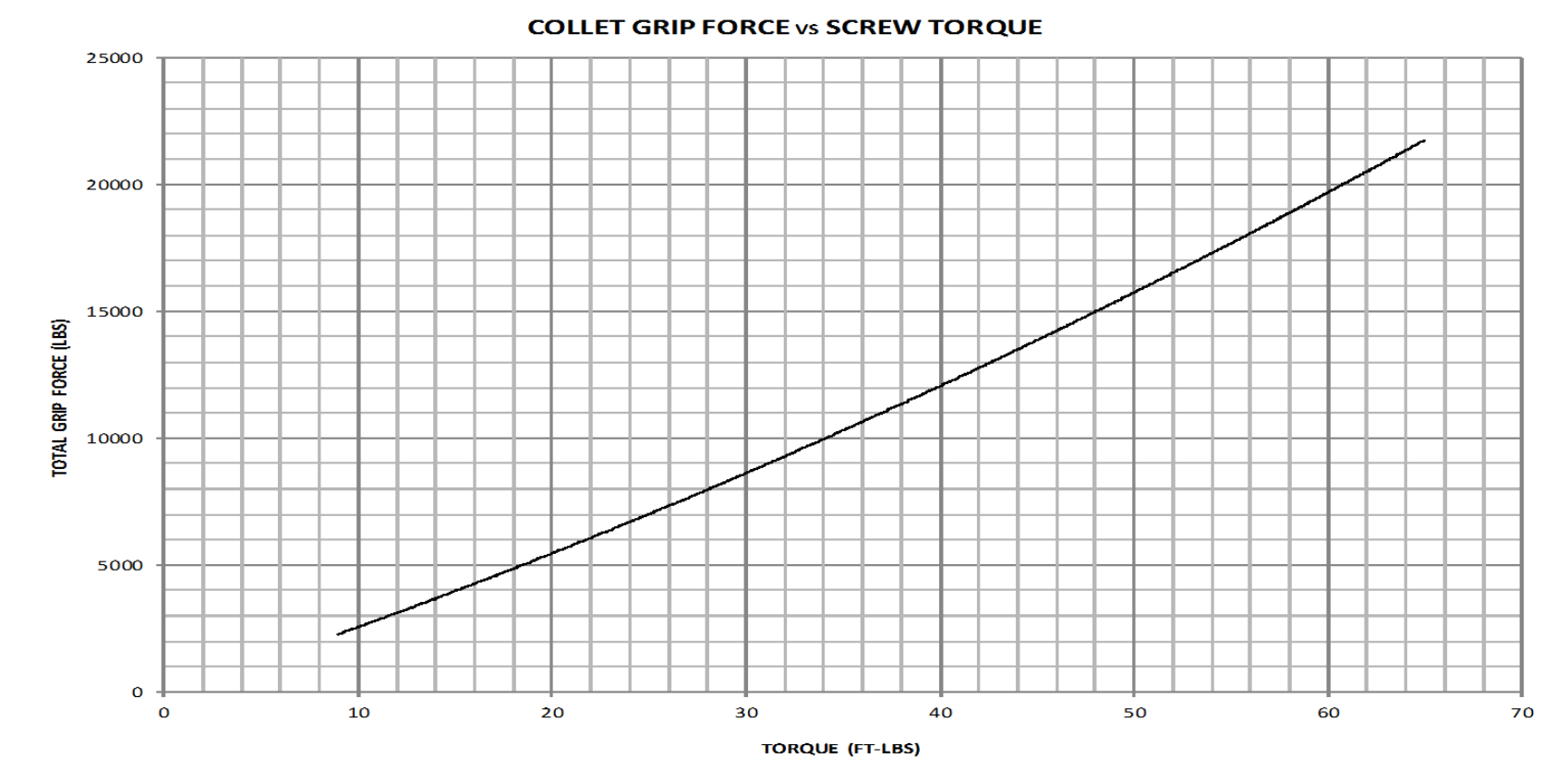
THIS DOCUMENT AND ITS CONTENTS ARE THE PROPERTY OF LEXAIR, INC. THEY ARE FURNISHED TO YOU ON THE FOLLOWING CONDITIONS: NO RIGHT OR LICENSE IN RESPECT OF THIS DOCUMENT OR ITS CONTENTS IS GIVEN OR WAIVED IN SUPPLYING THE DOCUMENT TO YOU. THIS DOCUMENT OR ITS CONTENTS ARE NOT TO BE USED OR TREATED IN ANY MANNER INCONSISTENT WITH THE RIGHTS OF LEXAIR, INC. OR TO ITS DETRIMENT AND ARE NOT TO BE COPIED, REPRODUCED, OR DISCLOSED OF, EXCEPT WITH ITS PRIOR WRITTEN CONSENT.

D 65602

ITEM NO.	PART NUMBER	DESCRIPTION	1 Open/QTY.	65602/QTY.
1	65-0329	BODY, CC, MAN, HYD, FG, 65mm	-	1
2	65-0330	PULLER, CC, MAN, HYD, FG 65mm	1	1
3	65-0331	SPRING GUIDE, CC, MAN, HYD, FG, 65mm	1	1
4	65-0332	SREW HOUSING, CC, MAN, HYD, FG, 65mm, LEXAIR	-	1
5	65-0333	PISTON, CC, MAN, HYD, FG, 65mm	1	1
6	65-0334	PUMP SCREW, CC, MAN, HYD, 65mm FLEX-C	1	1
7	08-0091	SPRING, COMP, MW, .378x.063x.85, K136	9	9
8	01-2483-0375	SCREW, SHC, LOW, #10-24x3/8, BLOX	2	2
9	01-2486	PIN, DOWEL, STEEL, .125 DIA. x .63 LG	1	1
10	65-0335	COLLET ANTI-ROTATION SCREW, CC, MAN, HYD, FG, 65mm	1	1
11	01-2484-0750	SCREW, SHC, LOW, 1/4-20, BLOX	4	4
12	01-2485	WASHER, FLAT, COPPER, 3/16	2	2
13	01-2484-0500	SCREW, SLHC, 1/4-20x.50, BLOX	6	6
14	04-25-220	O-RING, BUNA, 90 DURO, -220	1	1
15	04-25-343	O-RING, BUNA, 90 DURO, -343	2	2
16	04-31-220	BACK-UP RING, PARBAK, -220	1	1
17	04-31-343	BACK-UP RING, PARBAK, -343	2	2
18	65-0329	BODY, CC, MAN, HYD, FG, 65mm	1	-
19	65-0332	SREW HOUSING, CC, MAN, HYD, FG, 65mm	1	-



NOTES:  
 1. MAX TORQUE 65 FT-LBS  
 2. MAX ROTATIONAL SPEED 10 RPM  
 3. ITEMS IN HEX BALLOONS ARE INCLUDED IN REPAIR KIT PART NUMBER 65-0336



ZONE	REV.	DESCRIPTION	DATE	APPROVED
C4, D5	B	ECL 16029 09/26/16 ADDED ADDITIONAL MTG HOLES	9/26/2016	TPO
	A	ECL 16028 09/12/16 TPO - FIRST ISSUE FORMERLY FJ16011-200	9/13/2016	TPO

Tolerances Unless Otherwise Specified		MATERIAL SPEC:	PC: 65602
TYPE	FINISHED	AS CAST	NO:
DECIMAL .00	+ .015	+ .020	MAKE FROM:
DECIMAL .000	+ .005	+ .010	SEE BOM
FRACTIONAL	+ 1/64	+ 1/32	MODEL: G:\engr\CAD3D\6565602
ANGLES	+ 1°	+ 1°	FILE:
SURFACE FINISH (µ in)	100-175	200-500	CAD FILE:
DIMENSIONS ARE IN INCHES			
TITLE: COLLET CLSR, MAN, HYD, FG, 65mm			D 65602
DRAWN: TPO			CHECKED: WHJ
DATE: 5/26/2016			ENG APPR: TPO
			SCALE: 1:1
			WEIGHT: 22.317

**Lexair, Inc.**  
 2025 MERCER ROAD, LEXINGTON, KY 40511  
 (859) 545-5001, www.lexairinc.com