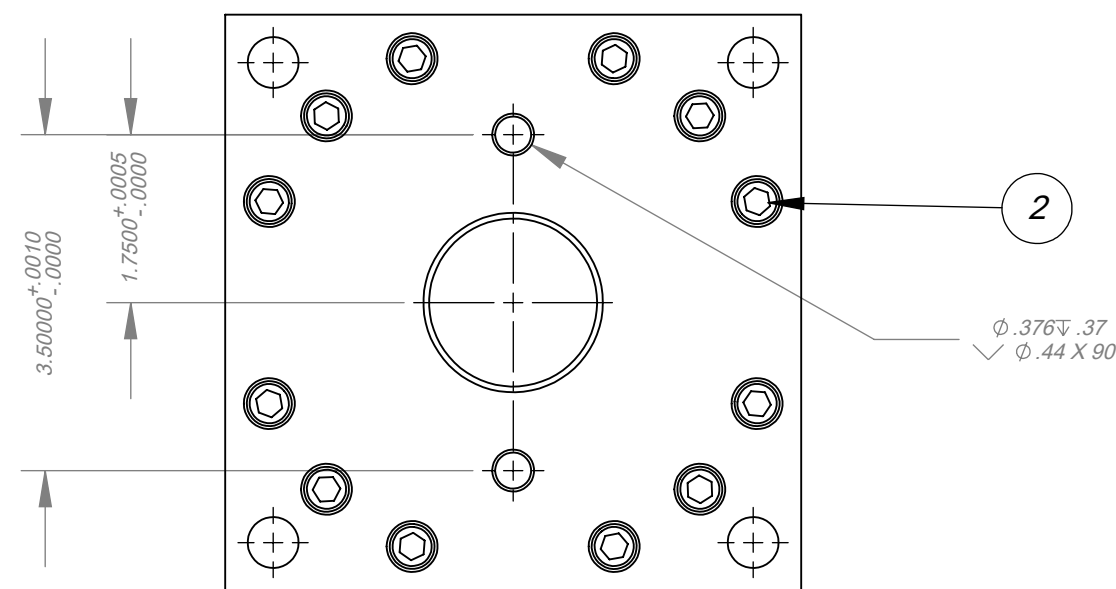
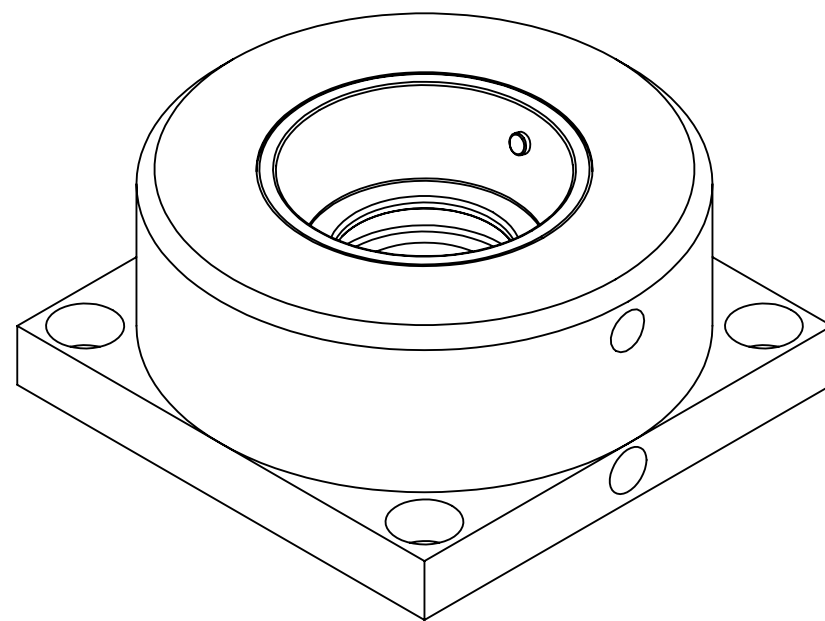
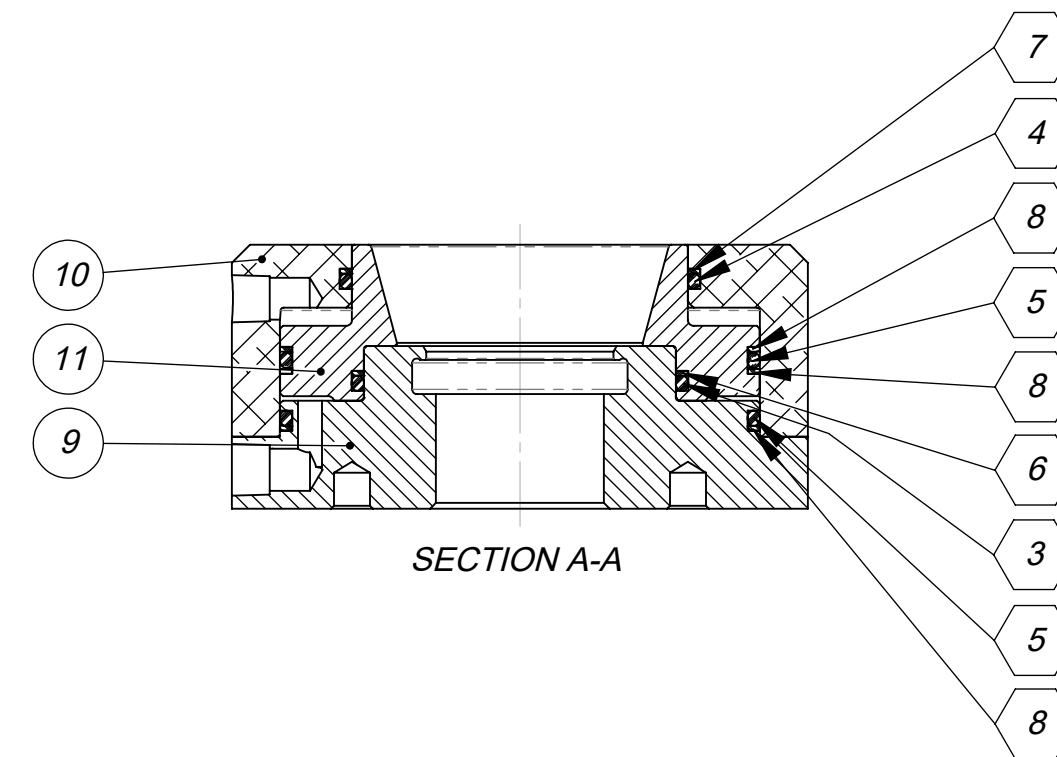
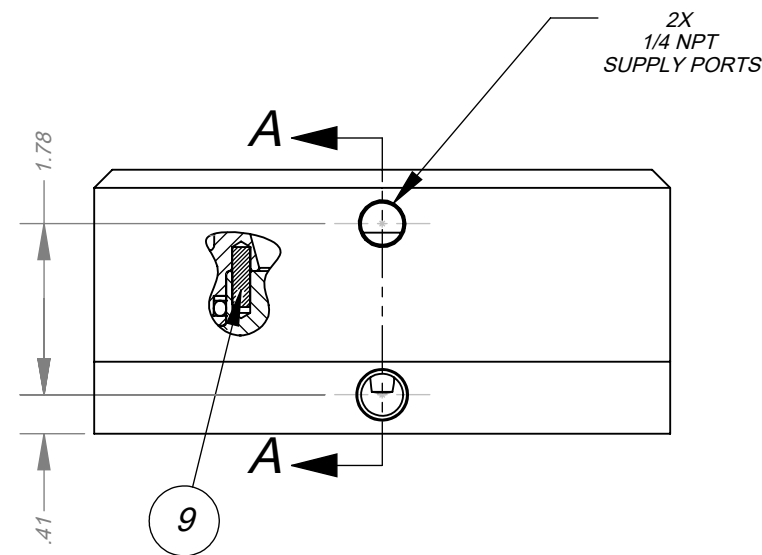
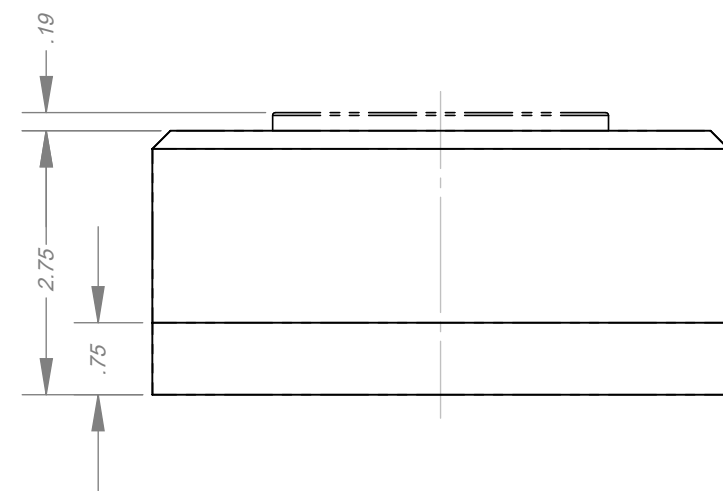
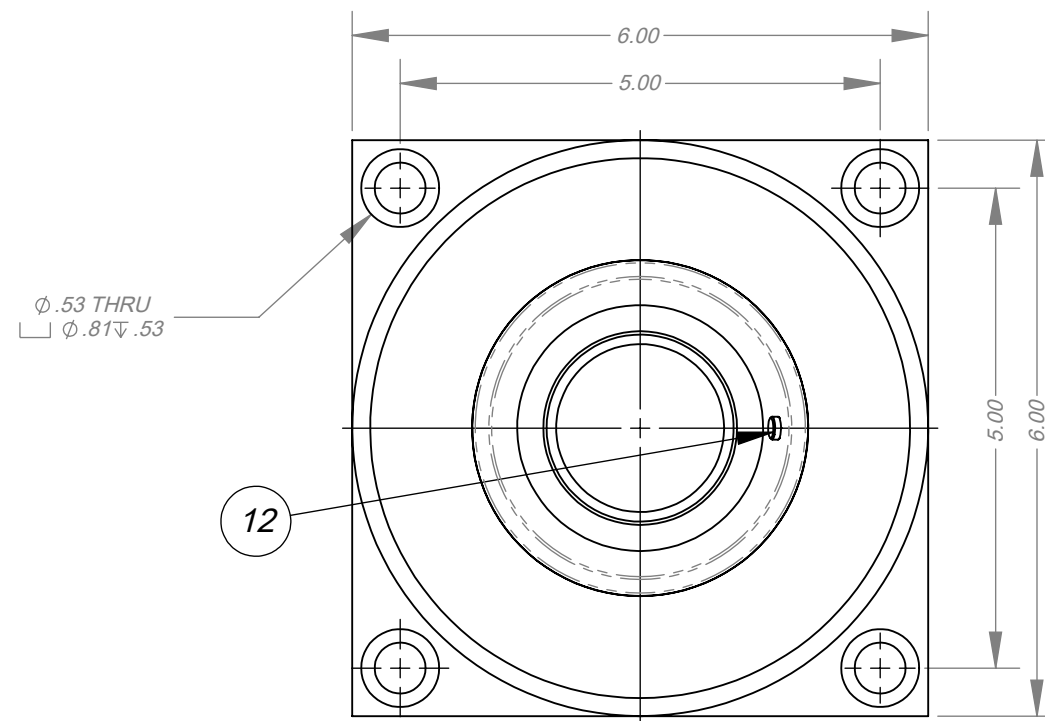


| ITEM NO. | PART NUMBER | DESCRIPTION | QTY. |
|----------|-------------|--|------|
| 1 | 01-0898 | PIN, 3/16 X 5/8 | 1 |
| 2 | 01-2046-6 | SCR., SHC 5/16-18 X 1.00 BLOX | 12 |
| 3 | 04-01-236 | O-RING, BUNA, -236 | 1 |
| 4 | 04-01-238 | O-RING, #238 | 1 |
| 5 | 04-01-248 | O-RING, BUNA, 4.734 ID X .139, 70 DURO | 2 |
| 6 | 04-31-236 | BACKUP RING PARBAK 8 | 1 |
| 7 | 04-31-238 | BACKUP RING PARBAK 8 238 | 1 |
| 8 | 04-31-248 | BACKUP RING PARBAK 8 248 | 3 |
| 9 | 65-0305 | BASE, 42MM FLEX C COLLET CLOSER | 1 |
| 10 | 65-0306L | BDY, 42MM FLEX C ANDZ/ENGR. | 1 |
| 11 | 65-0307 | PST, 42MM FLX C COLLET CLOSER | 1 |
| 12 | 65-0308 | PIN, ANTI ROT., 42MM FLEX C CLT CLSR. | 1 |



- NOTES:**
1. MAX. PRESSURE 700 HYD.
 2. APPROX. RADIAL CAMPING FORCE = 24.15 X PRESSURE.
 3. ITEMS IN HEX BALLOONS ARE INCLUDED IN REPAIR KIT 65-0316.

THIS DOCUMENT AND ITS CONTENTS ARE THE PROPERTY OF LEXAIR, INC. THEY ARE FURNISHED TO YOU ON THE FOLLOWING CONDITIONS: NO RIGHT OR LICENSE IN RESPECT OF THIS DOCUMENT OR ITS CONTENTS IS GIVEN OR WANTED IN SUPPLYING THIS DOCUMENT TO YOU. THIS DOCUMENT OR ITS CONTENTS ARE NOT TO BE USED IN ANY MANNER INCONSISTENT WITH THE RIGHTS OF LEXAIR, INC. OR TO ITS DETRIMENT AND ARE NOT TO BE COPIED, REPRODUCED, OR DISCLOSED OF, EXCEPT WITH ITS PRIOR WRITTEN CONSENT.

REVISIONS

ECL: 10007 02-25-10 MBR

| | | |
|---|--|-----------------------|
| Tolerances Unless Otherwise Specified: TYPE FINISHED AS CAST DEC .00 ± .015" ± .030" DEC .000 ± .005" ± .010" FRACTIONAL ± 1/64" ± 1/32" ANGLES ° ± 1/2" ± 1" FINISH 175 μ in. | MATERIAL SPEC. | PC. NO.: 65502 |
| | PROCESS SPEC. | MADE FROM: SEE B.O.M. |
| COLLET CLOSER, 42MM FLEX 'C' LEXAIR | MODEL FILE: 65502.SLDASM | |
| | CAD FILE: 65502.slddrw | |
| | SHEET NO. 1 of 1 SHEETS SCALE 1:2 APPROX. WT. 14.550 LBS | |
| DRAWN MBR | CHECKED MBR | APRVD. MBR |
| 2025 Mercer RD, Lexington, Kentucky 40511 02-25-10 02-25-10 02-25-10 | | |

Lexair, Inc.
2025 Mercer RD, Lexington, Kentucky 40511