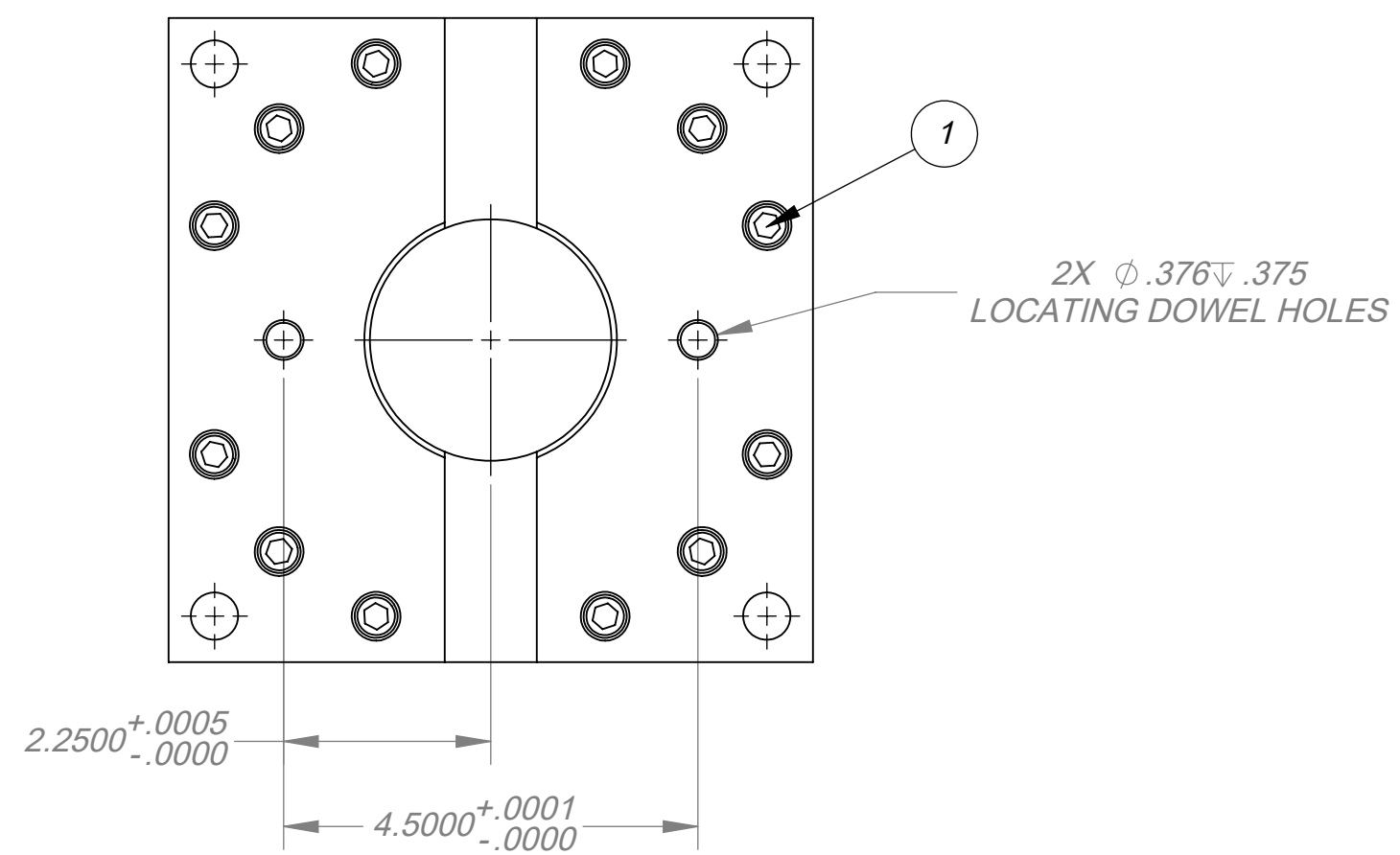
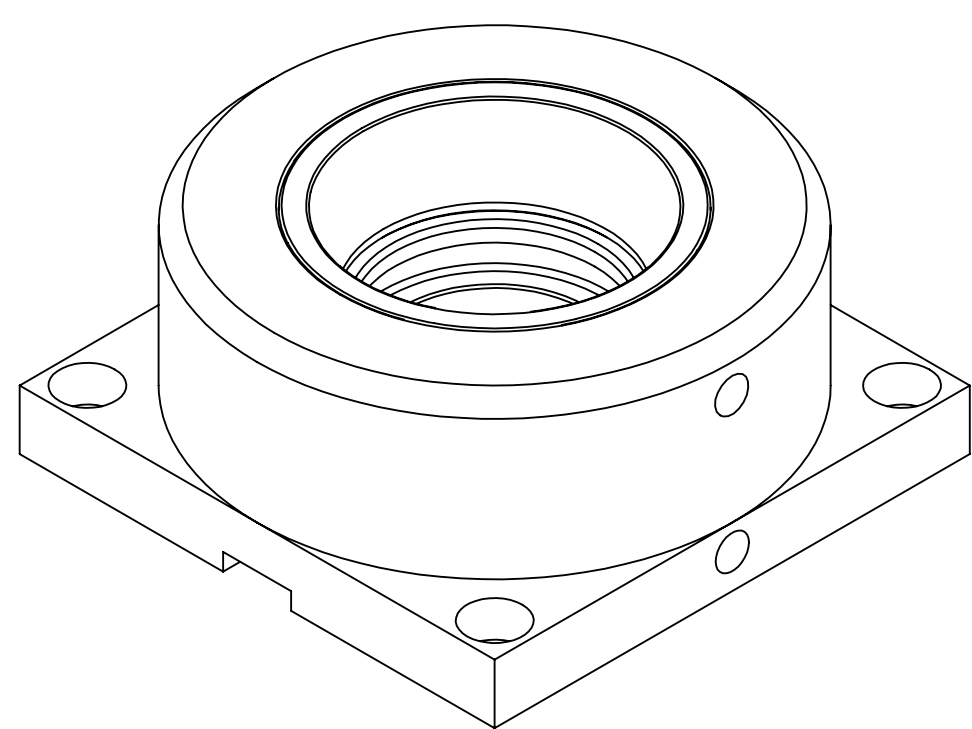
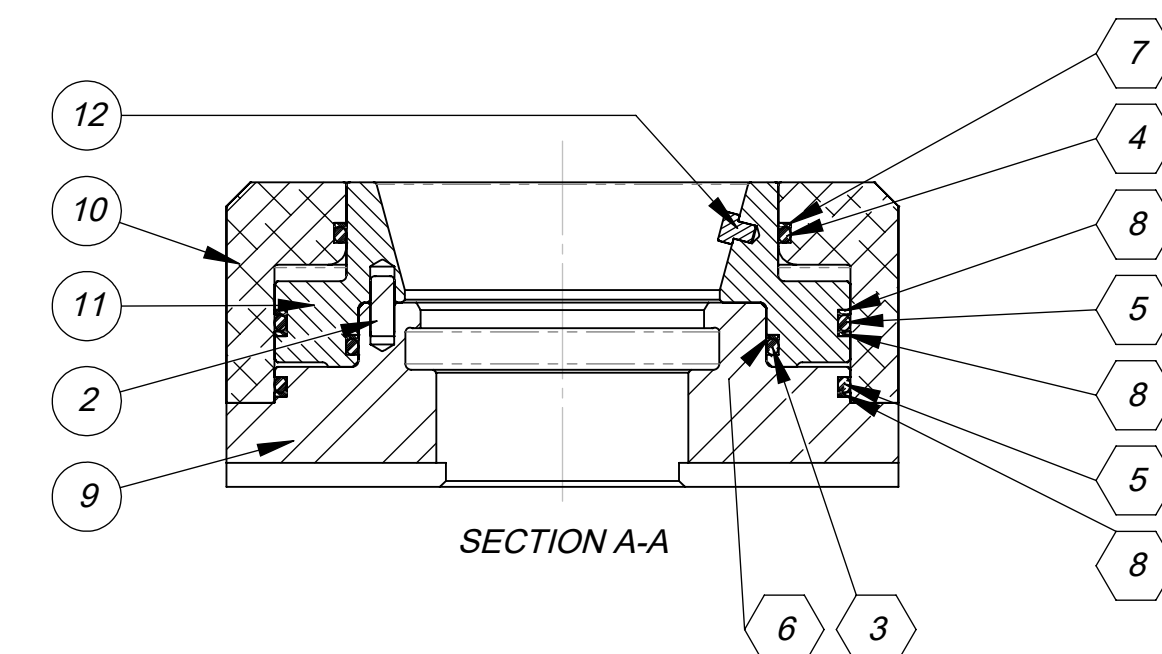
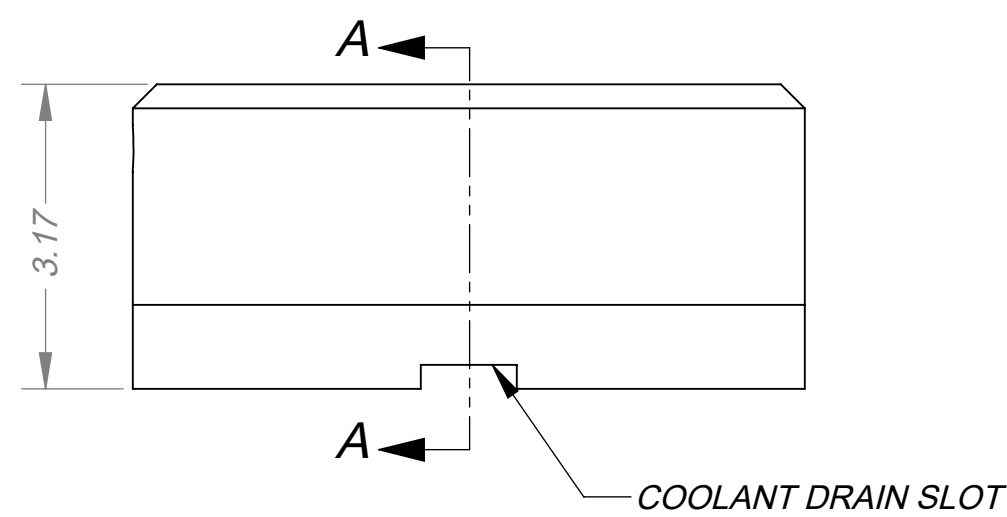
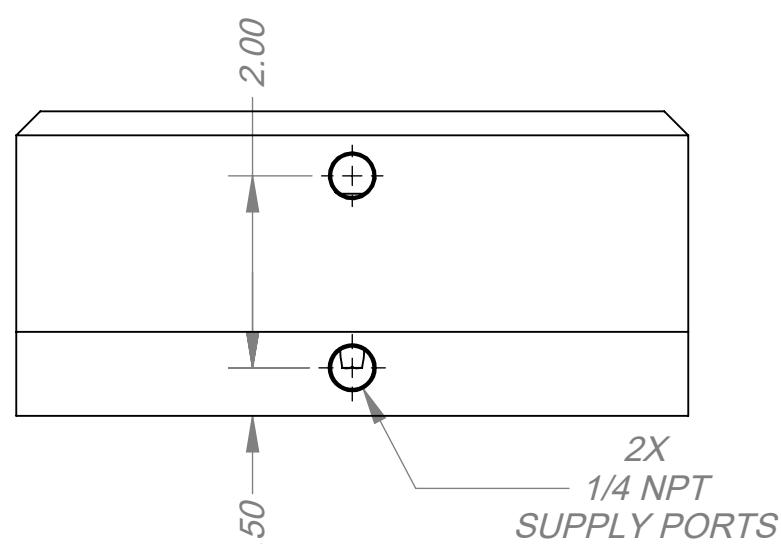
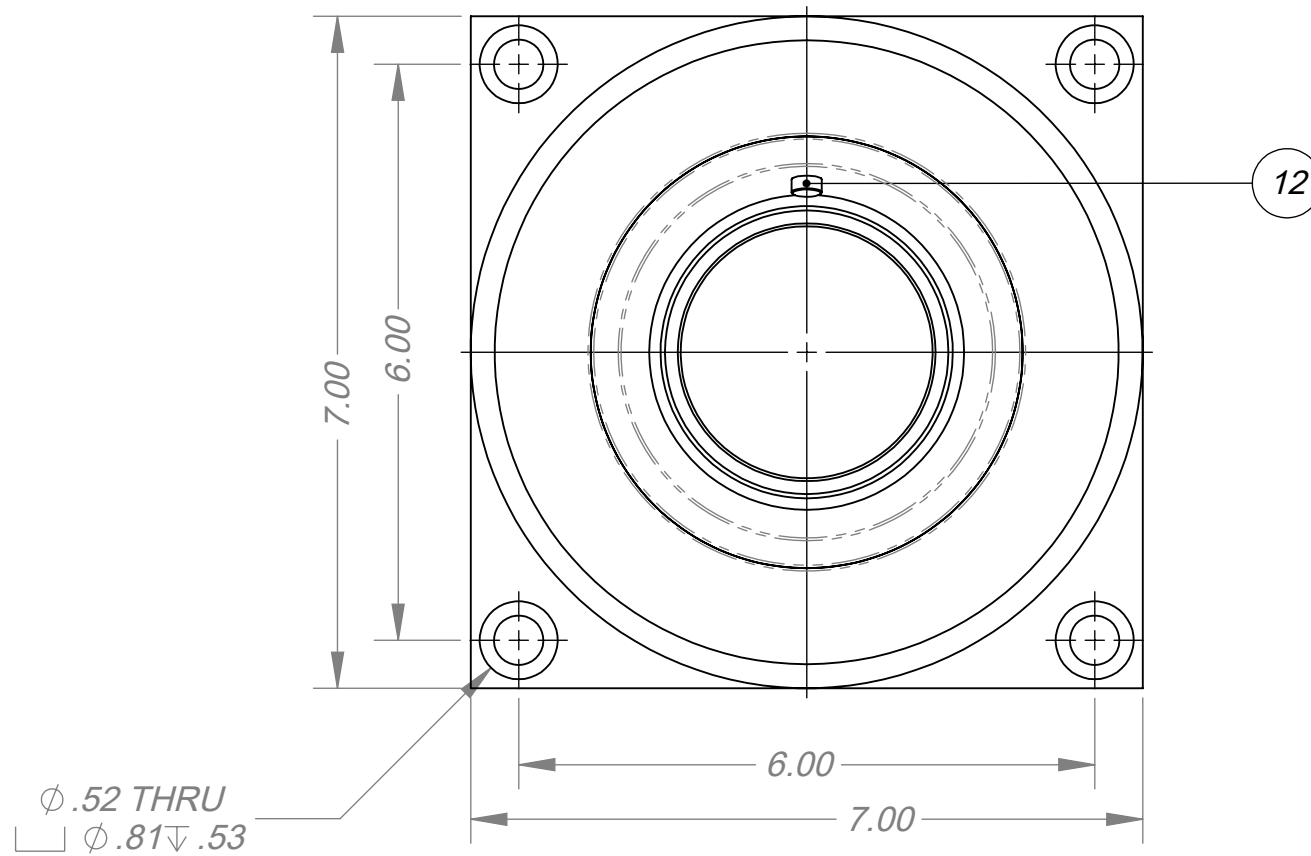


C65501

ITEM NO.	PART NUMBER	DESCRIPTION	QTY.
1	01-2046-7	SCR., SHC 5/16-18 X 1.25 BLOX	12
2	01-2342	PIN, DOWEL, .25 X .63	1
3	04-01-244	O-RING, BUNA 70, -244	1
4	04-01-246	O-RING, BUNA 70, -246	1
5	04-01-256	O-RING, BUNA 70, -256	2
6	04-31-244	BACKUP RING, PARBACK, 8 244	1
7	04-31-246	BACKUP RING, PARBAK, 8 246	1
8	04-31-256	BACKUP RING, PARBAK, 8 256	3
9	65-0301	BASE 65MM FLEX C COLLET CLOSER	1
10	65-0302L	BDY 65MM FLEX C LSR ENGRVD LEXAIR	1
11	65-0303	PISTON 65MM FLEX C COLLET CLOSER	1
12	65-0304	PIN ANTI-ROT. 65MM FLX.X CLT CLOSER	1



- NOTES:
1. MAX. PRESSURE 800 HYD.
 2. APROX. RADIAL CAMPING FORCE = 26.35 X PRESSURE.
 3. ITEMS IN HEX BALLOONS ARE INCLUDED IN REPAIR KIT 65-0315.

THIS DOCUMENT AND ITS CONTENTS ARE THE PROPERTY OF LEXAIR, INC. THEY ARE FURNISHED TO YOU ON THE FOLLOWING CONDITIONS: NO RIGHT OR LICENSE IN RESPECT OF THIS DOCUMENT OR ITS CONTENTS IS GIVEN OR WANTED IN SUPPLYING THIS DOCUMENT TO YOU. THIS DOCUMENT OR ITS CONTENTS ARE NOT TO BE USED OR TREATED IN ANY MANNER INCONSISTENT WITH THE RIGHTS OF LEXAIR, INC. OR TO ITS DETRIMENT AND ARE NOT TO BE COPIED, REPRODUCED, OR DISCLOSED OF, EXCEPT WITH ITS PRIOR WRITTEN CONSENT.

REVISIONS

ECL: 10001 01-08-10 MBR

Tolerances Unless Otherwise Specified:		MATERIAL SPEC.	PC. NO.:	65501			
TYPE	FINISHED AS CAST		MADE FROM:	SEE BOM			
DEC .00	± .015"	PROCESS SPEC.	MODEL FILE:	65501.SLDASM			
DEC .000	± .005"		CAD FILE:	65501.slddrw			
FRACTIONAL	± 1/64"	COLLET CLOSER, 65MM FLEX 'C' C65501 LEXAIR					
ANGLES *	± 1/2°						
FINISH 175 μ in.		DRAWN	CHECKED	APRVD.	SHEET NO.	1 of 1	SHEETS
		MBR	MDL	TPO	SCALE	1:2	
		01-08-10	03-08-10	03-08-10	APPROX. WT.	21.911	LBS

