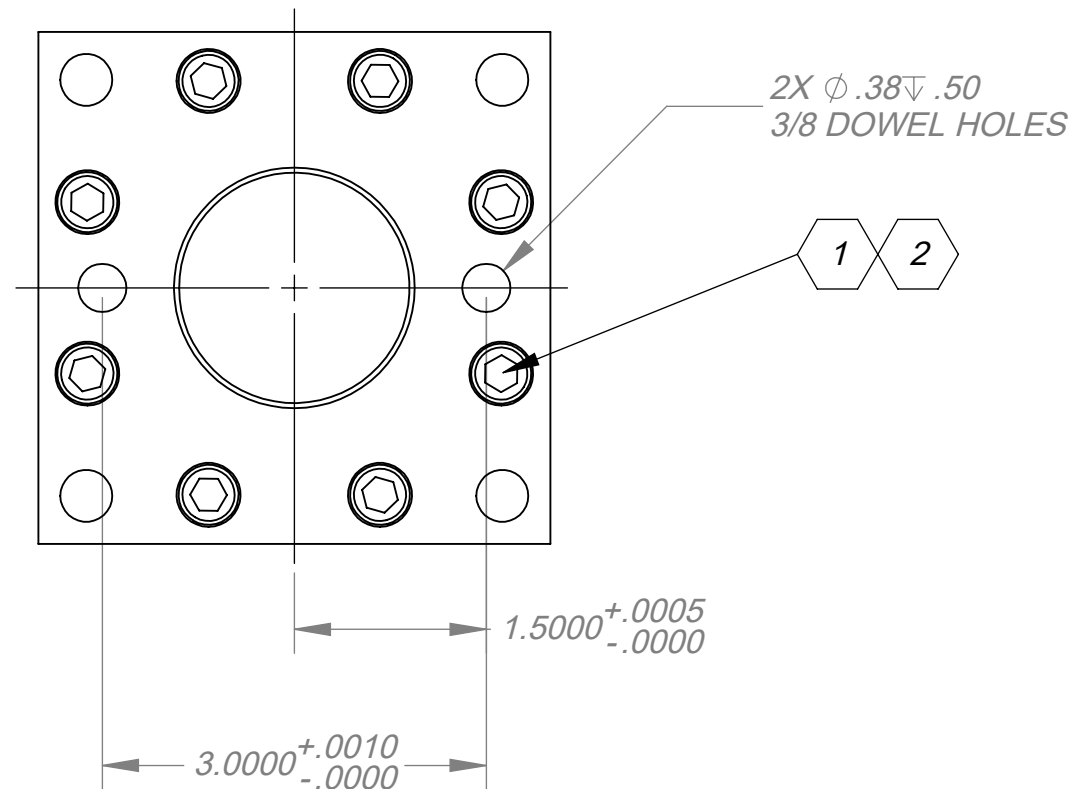
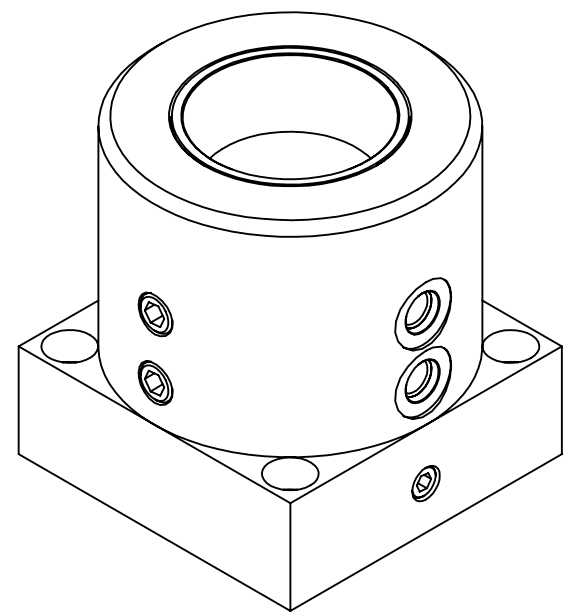
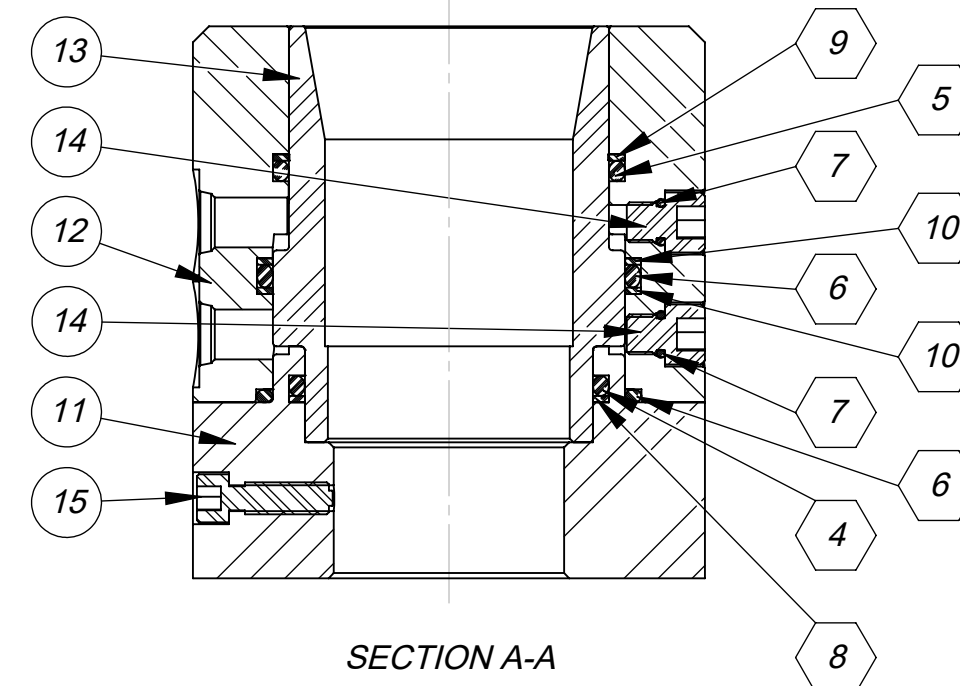
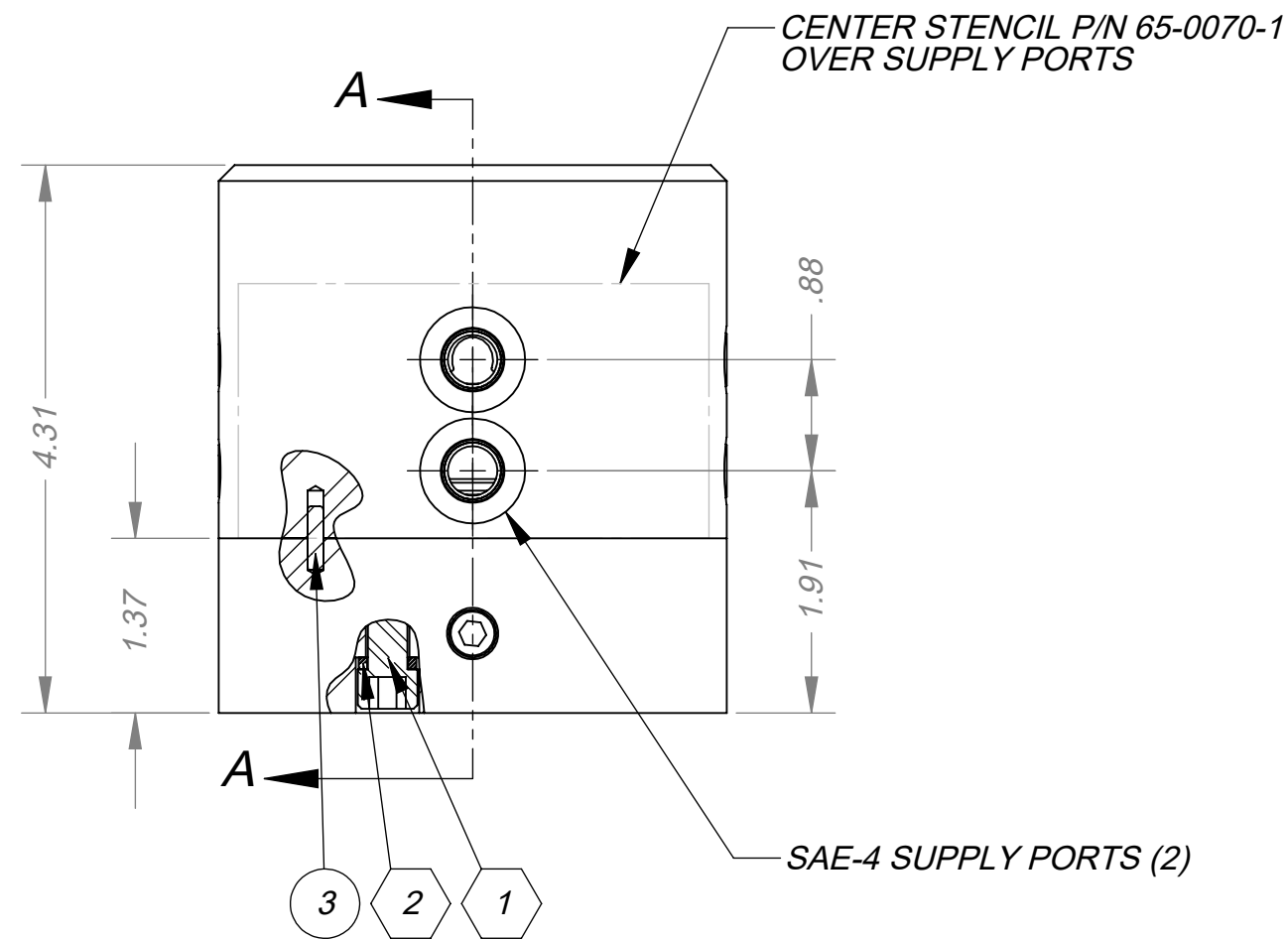
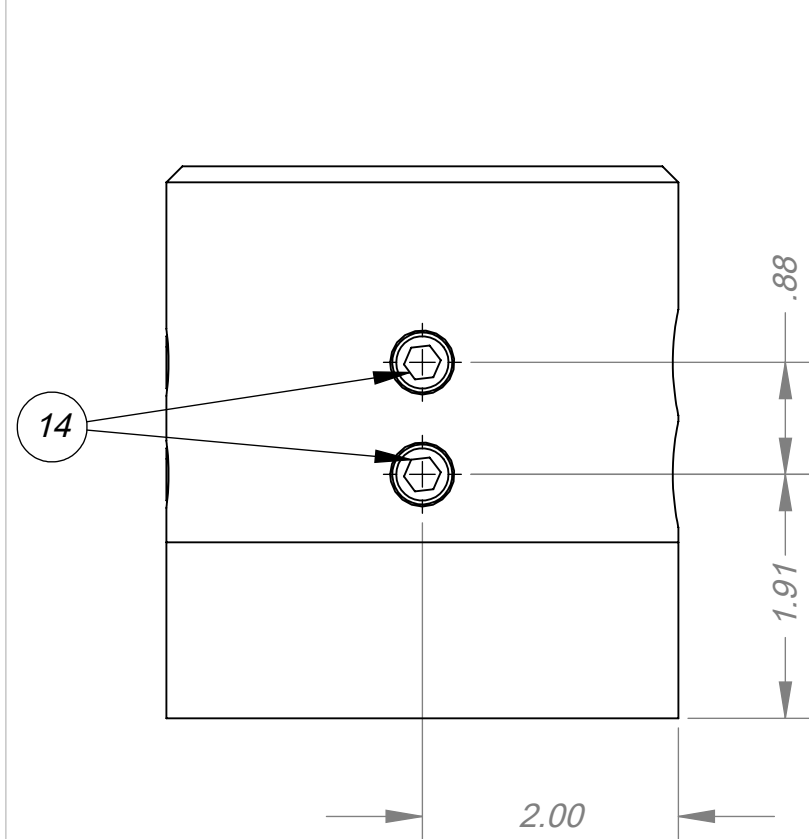
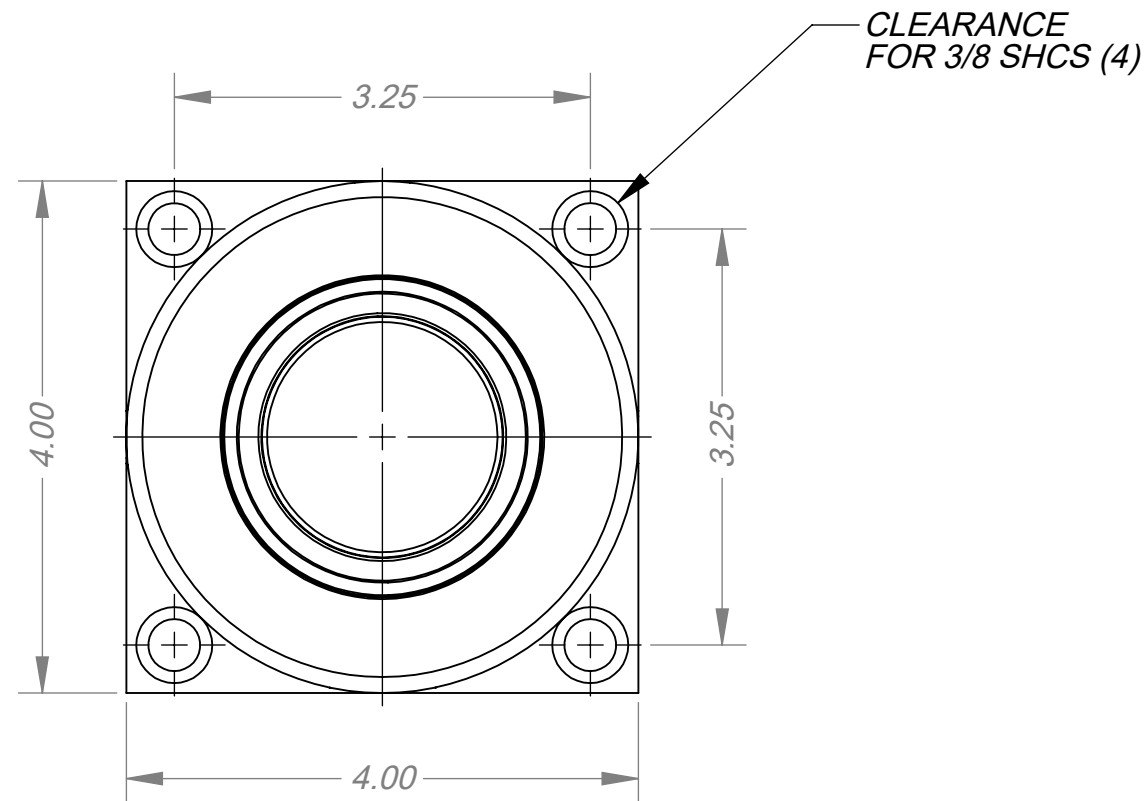


THIS DOCUMENT AND ITS CONTENTS ARE THE PROPERTY OF LEXAIR, INC. THEY ARE FURNISHED TO YOU ON THE FOLLOWING CONDITIONS: NO RIGHT OR LICENSE IN RESPECT OF THIS DOCUMENT OR ITS CONTENTS IS GIVEN OR WAIVED IN SUPPLYING THE DOCUMENT TO YOU. THIS DOCUMENT OR ITS CONTENTS ARE NOT TO BE USED OR TREATED IN ANY MANNER INCONSISTENT WITH THE RIGHTS OF LEXAIR, INC. OR TO ITS DETRIMENT AND ARE NOT TO BE COPIED, REPRODUCED, OR DISCLOSED OF, EXCEPT WITH ITS PRIOR WRITTEN CONSENT.



ITEM NO.	PART NUMBER	DESCRIPTION	QTY.
1	01-2046-8	SCREW, SHC, 5/16-18 X 1.50	8
2	01-2059	WASHER, LOCK, STEEL, 5/16	8
3	01-2302	PIN, DOWEL, 1/8 X 1/2, ALLOY	1
4	04-01-228	70 DURO, BUNA O-RING, #228	1
5	04-01-230	O-RING, BUNA, -230	1
6	04-01-232	O-RING, BUNA, -232	2
7	04-01-902	O-RING, BUNA, -902	6
8	04-31-228	BACKUP RING, BUNA, -228	1
9	04-31-230	BACKUP RING, BUNA, -230	1
10	04-31-232	BACKUP RING, BUNA, -232	2
11	65-0059	BASE, CC, 16C	1
12	65-0060	BODY, CC, 16C	1
13	65-0061	PISTON, CC, 16C	1
14	65-0065	PLUG, PRESSURE, CC	6
15	65-0067	LOCK PIN, CC, 16C	1

**C65302**

**REVISIONS**

**A** ECL-17024  
REMOVED 5000 PSI  
FROM DESCRIPTION

**NOTES:**

1. MAX PRESSURE 3500 PSI.
2. APPROX. RADIAL CLAMPING FORCE = 5.31 X PRESSURE.
3. ITEMS SHOWN IN HEX BALLOONS ARE INCLUDED IN REPAIR KIT 65-0082.

ECL: 99147 06-23-99 MBR

Tolerances Unless Otherwise Specified:		
TYPE	FINISHED	AS CAST
DEC .00	± .015	± .030
DEC .000	± .005	± .010
FRACTIONAL	± 1/64	± 1/32
ANGLES	± 1/2°	± 1°

MATERIAL SPEC.

PROCESS SPEC.

PC. NO. 65302

MADE FROM SEE B.O.M.

**COLLET CLOSER, 16C  
ASSEMBLY**



DRAWN	CHECKED	APRVD.
MBR	TPO	MFM
06-04-99	06-04-99	06-04-99

**C 65302**

CAD FILE 65302.drw

SHEET NO. 1 of 1

SCALE 1:1.5 SHEETS

APPROX. WT. 12.304 LBS