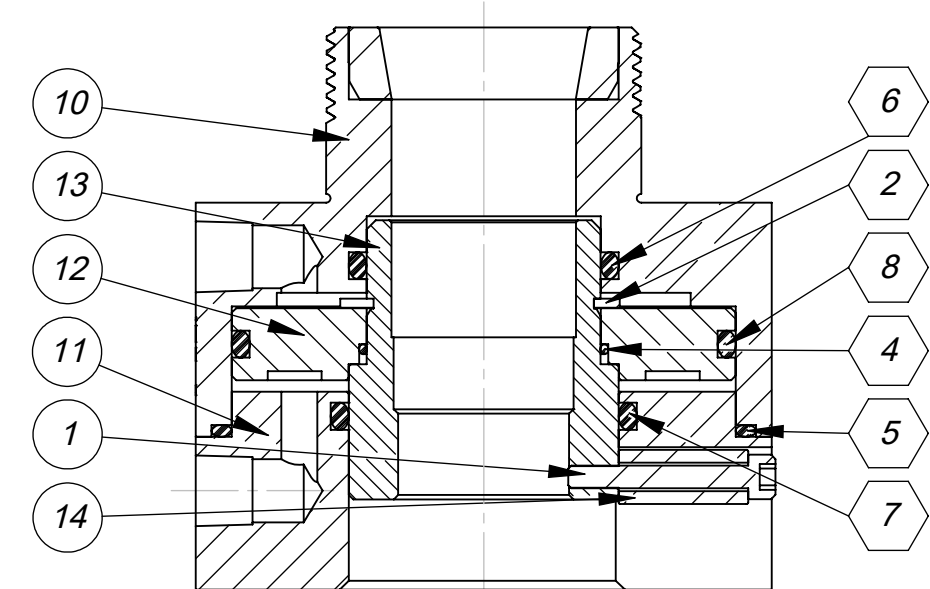
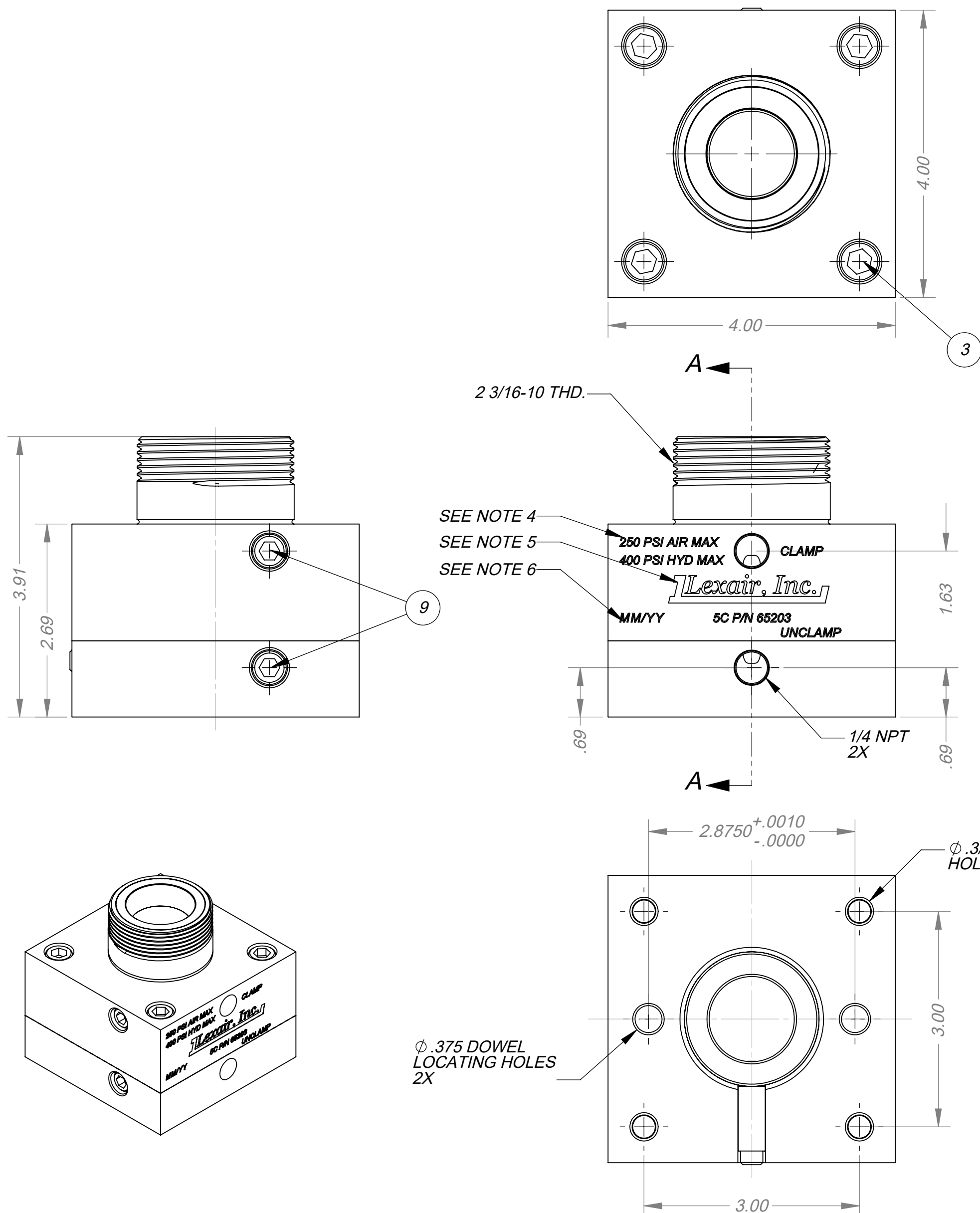


C65203

ITEM NO.	PART NUMBER	DESCRIPTION	QTY.
1	01-0058	SCREW, SHC, #10-32 X 1.25, BRASS	1
2	01-2053	RING, RETAINING, N5100-162, STEEL	1
3	01-2346	SCREW, SHCS, 3/8-24 X 1.75	4
4	04-01-030	O-RING, BUNA 70, -030	1
5	04-01-153	ORING, BUNA 70, -153	1
6	04-01-223	O-RING, BUNA 70, -223	1
7	04-01-225	O-RING, BUNA 70, -225	1
8	04-01-236	O-RING, BUNA, -236	1
9	65-0065	PLUG, PRESSURE, ASS'Y.	4
10	65-0172	BODY ASSY, 5C, STEP	1
11	65-0173	BASE, CC, 5C, THD	1
12	65-0174	PISTON, CC, 5C	1
13	65-0175	GUIDE, CC, 5C	1
14	65-0176	GUIDE, PISTON, CC, 5C	1



SECTION A-A

- NOTES:
1. MAX. PRESSURE 250 AIR / 400 HYD.
 2. APROX. RADIAL CAMPING FORCE = 20.39 X PRESSURE.
 3. ITEMS IN HEX BALLOONS ARE INCLUDED IN REPAIR KIT 65-0221.
 4. MAKE WITH 1/8 HIGH ITALIC ARIAL FONT.
 5. MARK WITH LEXAIR, LOGO APROX 3/8 HIGH.
 6. MARK WITH CURRENT MANUFACTURED DATE CODE WITH .13 HIGH ITALIC ARIAL FONT

THIS DOCUMENT AND ITS CONTENTS ARE THE PROPERTY OF LEXAIR, INC. THEY ARE FURNISHED TO YOU ON THE FOLLOWING CONDITIONS: NO RIGHT OR LICENSE IN RESPECT OF THIS DOCUMENT OR ITS CONTENTS IS GIVEN OR WANTED IN SUPPLYING THE DOCUMENT TO YOU. THIS DOCUMENT OR ITS CONTENTS ARE NOT TO BE USED OR TREATED IN ANY MANNER INCONSISTENT WITH THE RIGHTS OF LEXAIR, INC. OR TO ITS DETRIMENT AND ARE NOT TO BE COPIED, REPRODUCED, OR DISCLOSED OF, EXCEPT WITH ITS PRIOR WRITTEN CONSENT.

REVISIONS	
A	ECL-17022 > REDUCED HYD PSI FROM 750 TO 400
B	ECL 20071 11/02/20 TPO EDITED DRAWING TO INCLUDE MARKING DETAILS

ECL: 02163 11-07-02 MBR	Tolerances Unless Otherwise Specified:		MATERIAL SPEC.	PC. NO.: 65203	
	TYPE	FINISHED	AS CAST	MADE FROM: SEE BOM	
	DEC .00	± .015"	± .030"	PROCESS SPEC.	MODEL FILE: 65203.SLDASM
	DEC .000	± .005"	± .010"		CAD FILE: 65203.slddrw
	FRACTIONAL	± 1/64"	± 1/32"		
	ANGLES °	± 1/2°	± 1°		
	FINISH 175 µ in.				
CLOSER, COLLET, STEP NOSE					
Lexair, Inc.			DRAWN	CHECKED	
2025 Mercer RD, Lexington, Kentucky 40511			MBR	TPO	
			APRVD.	MFM	
			SHEET NO. 1 of 1	SHEETS	
			SCALE 3:4		
			APPROX. WT. 10.253 LBS		