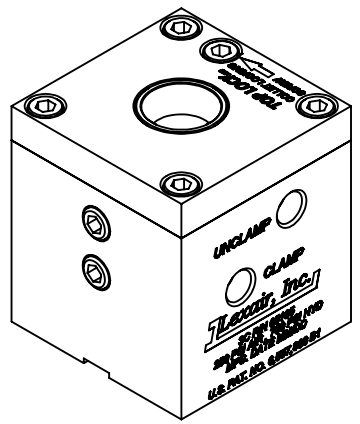
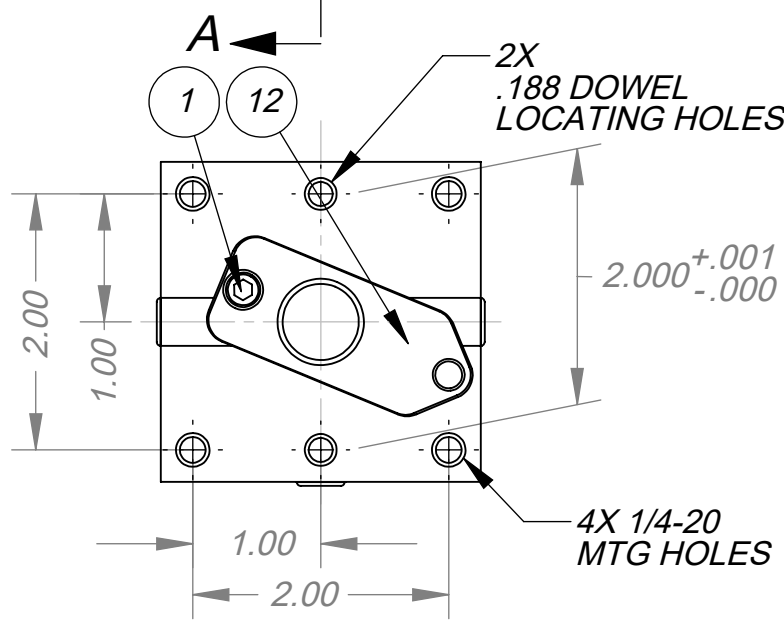
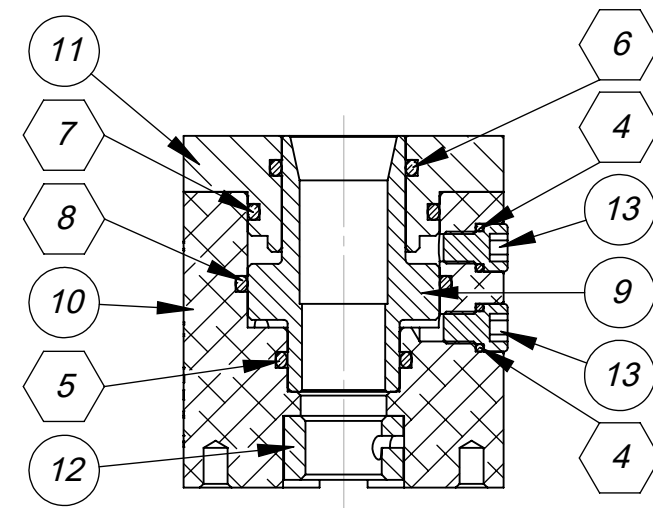
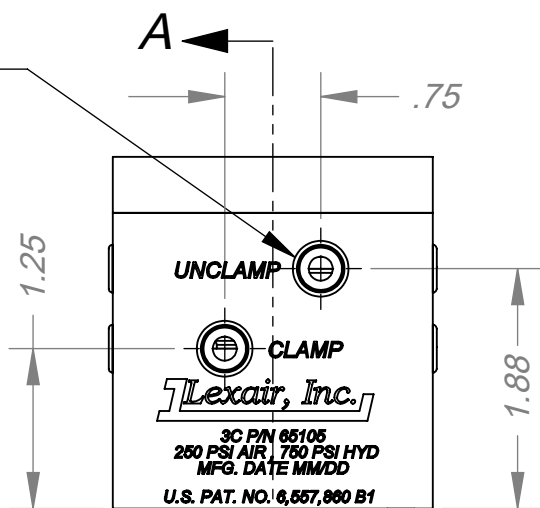
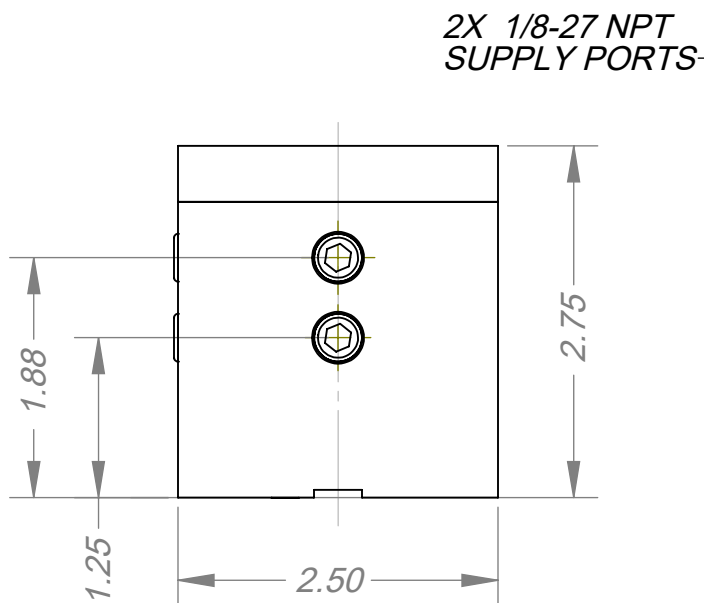
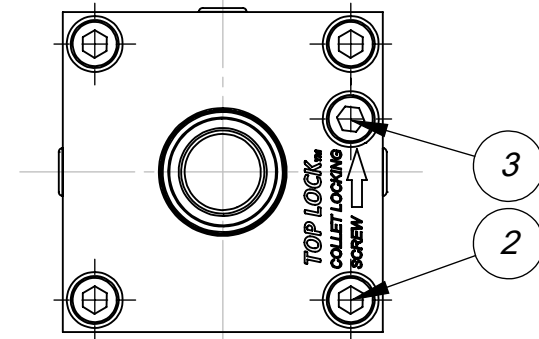


B65105

ITEM NO.	PART NUMBER	DESCRIPTION	QTY.
1	01-0004	SCREW, SHC, #8 X .625, ZN	1
2	01-0019	SCREW, SHC, SS, 1/4-20 X .75	4
3	01-2391	SCREW, SHC, 1/4-28 X 2.50	1
4	04-01-010	O-RING, #010	6
5	04-01-118	O-RING, BUNA, -118	1
6	04-01-119	O-RING, BUNA, .924 ID X .103 CS, #119	1
7	04-01-125	O-RING, BUNA, #125	1
8	04-01-128	O-RING, BUNA, -128	1
9	65-0146	PISTON, 3C	1
10	65-0234	BODY, ENGRAVED, LEXAIR	1
11	65-0235	TOP, ENGRAVED, LEXAIR	1
12	65-0236	NUT, LOCKING, 3C	1
13	65-0237	PLUG, PRESSURE, 3C	6

NOTES:

1. MAX PRESSURE 250 AIR / 750 HYD.
2. APPROXIMATE RADIAL CLAMPING FORCE IS 2.85 X PRESSURE.
3. ITEMS SHOWN IN HEX BALLOONS ARE INCLUDED IN STD. REPAIR KIT 65-0295.



THIS DOCUMENT AND ITS CONTENTS ARE THE PROPERTY OF LEXAIR, INC. THEY ARE FURNISHED TO YOU ON THE FOLLOWING CONDITIONS: NO RIGHT OR LICENSE IN RESPECT OF THIS DOCUMENT OR ITS CONTENTS IS GIVEN OR WAIVED IN SUPPLYING THE DOCUMENT TO YOU. THIS DOCUMENT OR ITS CONTENTS ARE NOT TO BE USED OR TREATED IN ANY MANNER INCONSISTENT WITH THE RIGHTS OF LEXAIR, INC. OR TO ITS DETRIMENT AND ARE NOT TO BE COPIED, REPRODUCED, OR DISCLOSED OF, EXCEPT WITH ITS PRIOR WRITTEN CONSENT.

REVISIONS

A ECL-17047, 9-11-17, SMS
ADDED TOP LOCK LOGO

ECL: 06085 08-14-06 MBR	Tolerances Unless Otherwise Specified:			MATERIAL SPEC.		PC. NO.: 65105
	TYPE	FINISHED	AS CAST	PROCESS SPEC.		MADE FROM: SEE B.O.M.
	DEC .00	± .015"	± .030"			MODEL FILE: 65105.SLDASM
	DEC .000	± .005"	± .010"			CAD FILE: 65105.slddrw
	FRACTIONAL	± 1/64"	± 1/32"			
	ANGLES °	± 1/2°	± 1°			
	FINISH 175 μ in.					
CLOSER, COLLET, 3C, ASS'Y.						B 65105
3C DEAD LENGTH COLLET CLOSER, TOP LOCKING						
Lexair, Inc.			DRAWN	CHECKED	APRVD.	SHEET NO. 1 of 1 SHEETS
			MBR		TPO	SCALE 1:1.5
2025 Mercer RD, Lexington, Kentucky 40511			08-14-06		08-14-06	APPROX. WT. 1.864 LBS