

THIS DOCUMENT AND ITS CONTENTS ARE THE PROPERTY OF LEXAIR, INC. THEY ARE FURNISHED TO YOU ON THE FOLLOWING CONDITIONS:  
 NO RIGHT OR LICENSE IN RESPECT OF THIS DOCUMENT OR ITS CONTENTS IS GIVEN OR WAIVED IN SUPPLYING THE DOCUMENT TO YOU.  
 THIS DOCUMENT OR ITS CONTENTS ARE NOT TO BE USED OR TREATED IN ANY MANNER INCONSISTENT WITH THE RIGHTS OF LEXAIR, INC.  
 OR TO ITS DETRIMENT AND ARE NOT TO BE COPIED, REPRODUCED, OR DISCLOSED OF, EXCEPT WITH ITS PRIOR WRITTEN CONSENT.

ITEM NO.	PART NUMBER	DESCRIPTION	QTY.
1	20-0021	BODY, 1" NPT	1
2	20-0083	NUT, HEX	1
3	20-0084	GUIDE, POPPET 1" NPT	1
4	20-0154	SPRING, POPPET	1
5	SEE TBL (SM)	POPPET ASSY	1
6	SEE TBL (SM)	O-RING	1

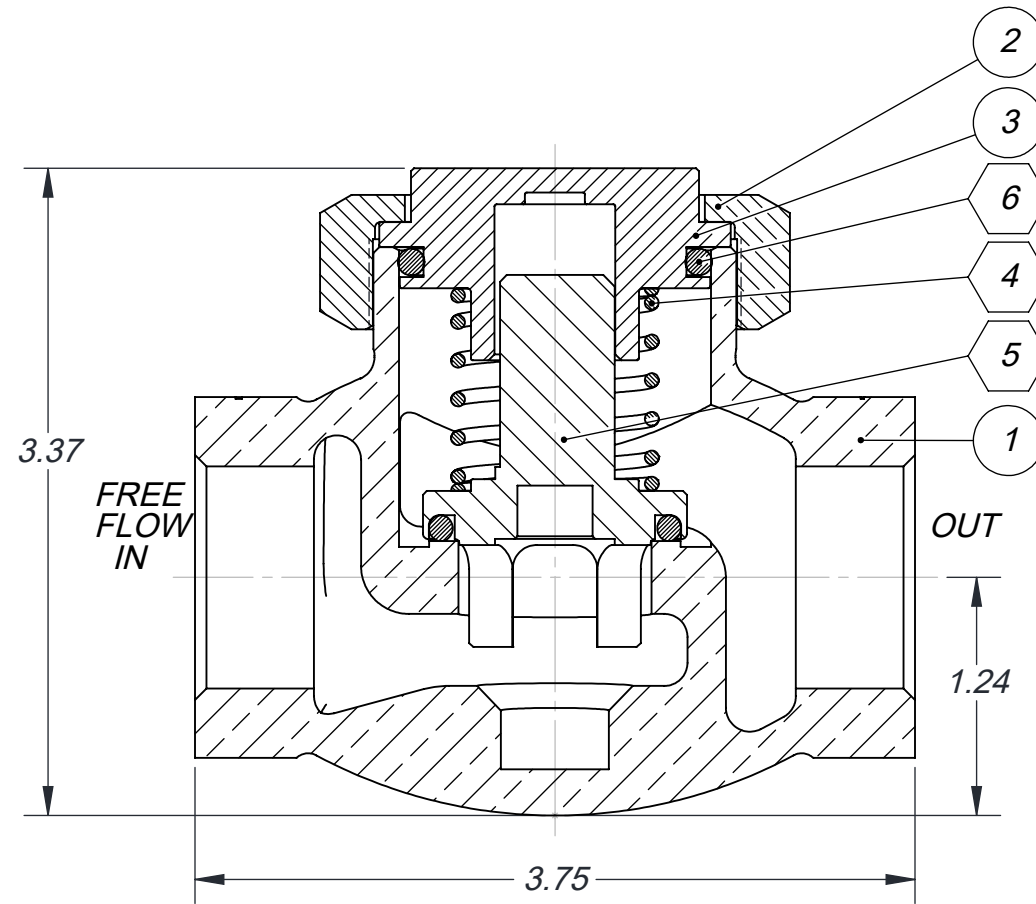
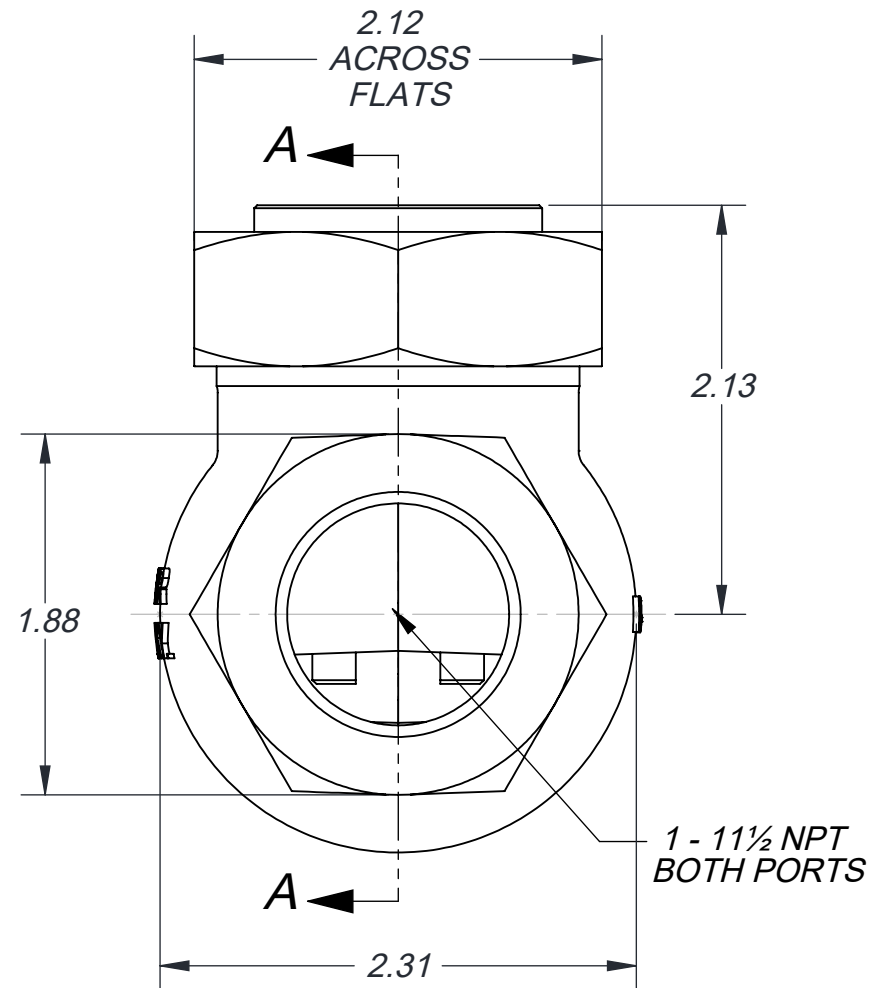
SEAL MATERIAL OPTIONS (SM)			
CODE	MATERIAL	O-RING	POPPET ASSY PART NO.
STD	BUNA - N+VITON	04-01-220	20-0086
-25	MOLY CTD BUNA		
-26	VITON	04-09-220	20-0086
-28	VITON+TEFLON		
-29	EPR		
-32	TEF+EPR+VIT		

# 550116 - SM

# B550116

- NOTES:
- PARTS IN HEXAGON BOX ARE INCLUDED IN BOTH ASSEMBLY AND REPAIR KITS. SEE TABLE (R/K) FOR REPLACEMENT PART NO.
  - PRESSURE RATING: 0-500 PSI
  - TEMP. RANGE: -30° F TO 225° F STD. (300° F OPT. SEALS)

REPAIR KITS (R/K)	
MATERIAL	PART NO.
BUNA - N	25-0102
VITON	25-0902



SECTION A-A

## REVISIONS

<b>A</b>	REDRAWN TO CURRENT ENGINEERING STANDARDS ECL: 99238 JDR 11-09-99
<b>B</b>	REDRAWN TO CURRENT ENGINEERING STANDARDS ECL: 21036 TES 06-23-21

Tolerances Unless Otherwise Specified:		
TYPE	FINISHED	AS CAST
DEC .00	± .015	± .030
DEC .000	± .005	± .010
FRACTIONAL	± 1/64	± 1/32
ANGLES	± 1/2°	± 1°

MATERIAL SPEC.  
SEE TABLE

PROCESS SPEC.

### 1" NPT CHECK VALVE

**Lexair, Inc.**  
2025 Mercer RD, Lexington, Kentucky 40511

DRAWN	CHECKED	APRVD.
JDR	MFM	MFM
11-09-99	01-28-00	01-28-00

PC. NO. 550116

MADE FROM

**B 550116**

CAD FILE 550116.drw

SHEET NO. 1 of 1 SHEETS

SCALE 1:1

APPROX. WT. 3.491 lbs.