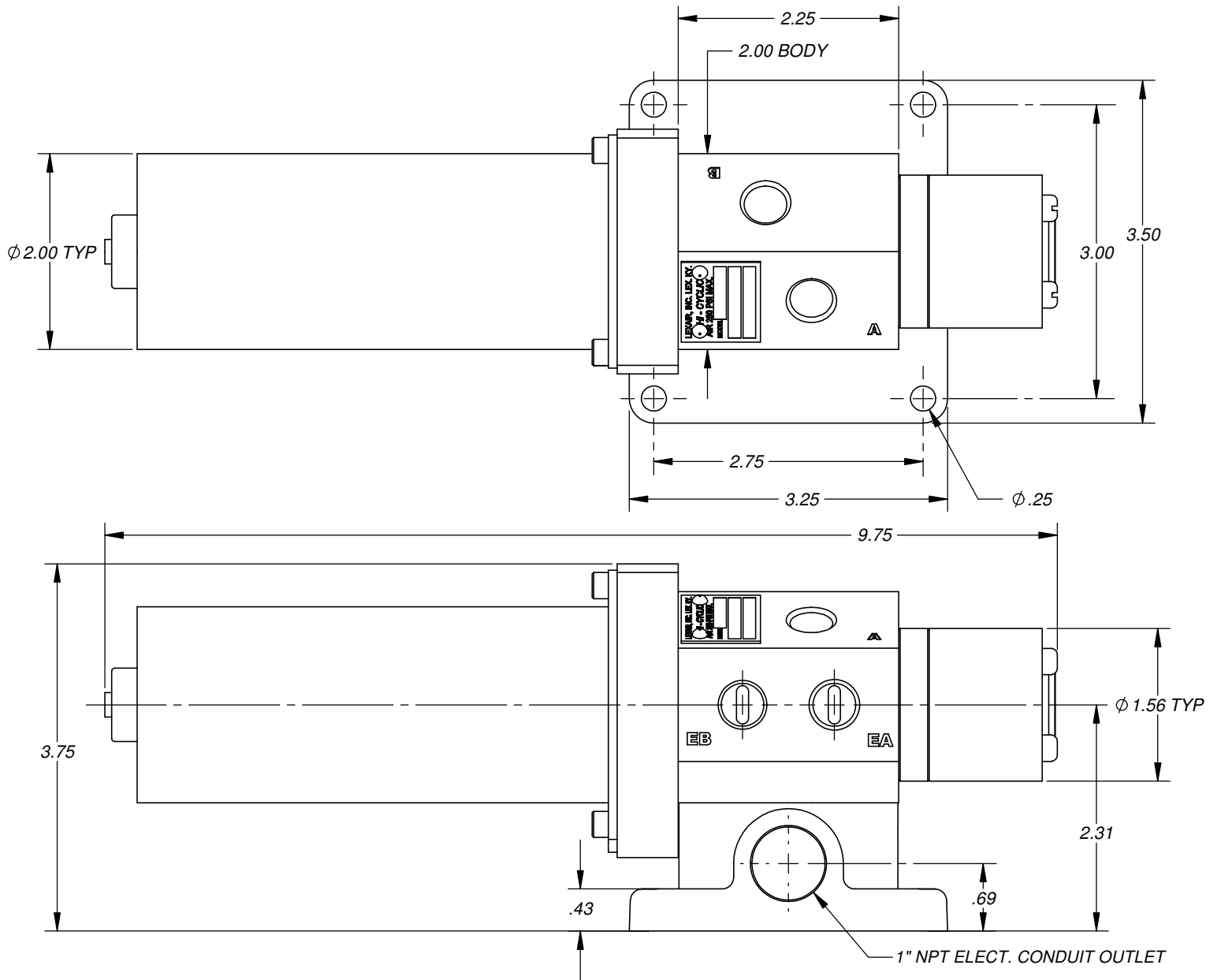


1/4" and 7/16-20 SAE Models



3/8" and 1/2" NPT plus 9/16-18 SAE Models

