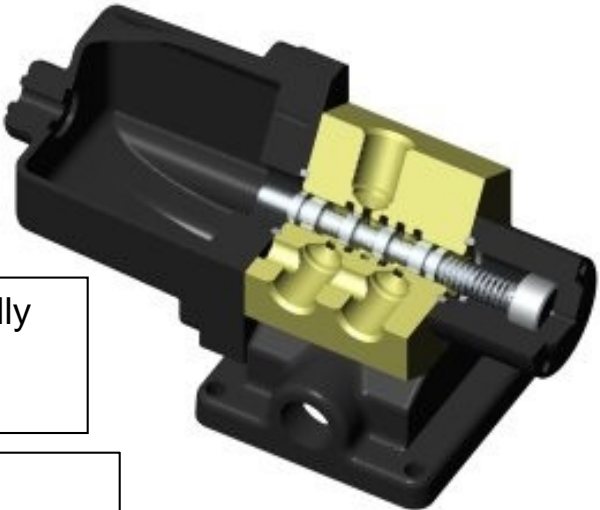


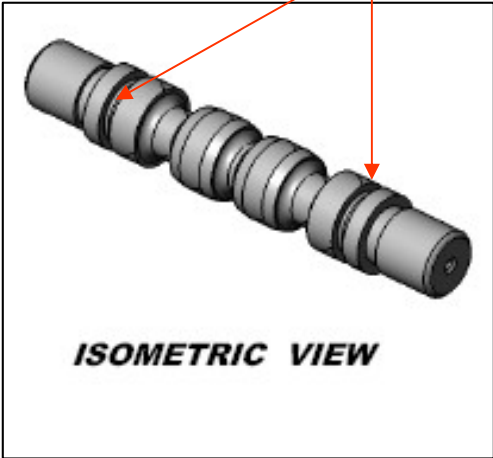
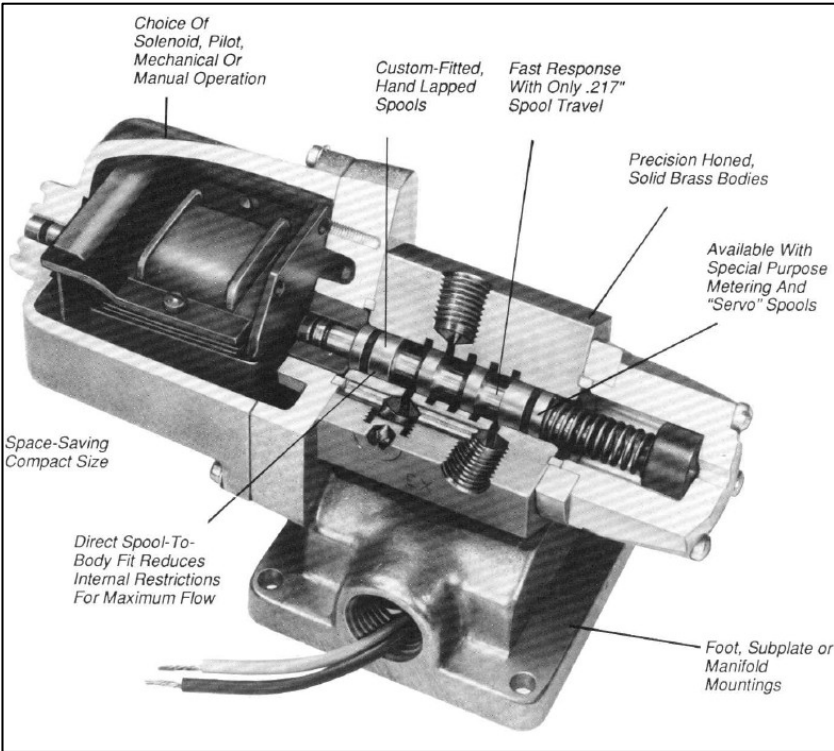
Hi-Cyclic[®]

Precision honed body with individually matched spool provides for a nearly frictionless fit.



Brass Alloy 360 body

303 stainless steel hand lapped spool has o-ring grooves in the outer lands that are used to keep oil or air inside the body and external contaminants out.



ISOMETRIC VIEW

Versatile modular body design and a choice of nine different spools assures that we have a model to fit your application needs.